



Laparoscopes and Accessories



Laparoscope, Ø 5.0 mm, WL 310 mm *

Direction of view

0°	10.005.00.1
30°	10.005.30.1
45°	10.005.45.1

Laparoscope, Ø 10.0 mm, WL 324 mm *

Direction of view

0°	10.010.00.1
30°	10.010.30.1
45°	10.010.45.1



HD Laparoscope, Ø 5.0 mm, WL 310 mm *

Direction of view

0°	10.005.00.1HD
30°	10.005.30.1HD
45°	10.005.45.1HD

HD Laparoscope, Ø 10.0 mm, WL 324 mm *

Direction of view

0°	10.010.00.1HD
30°	10.010.30.1HD
45°	10.010.45.1HD



Laparoskop-Thorakoskop Ø 10.0 mm, WL 170 mm *

Direction of view

0°	10.010.50.1
30°	10.010.52.1



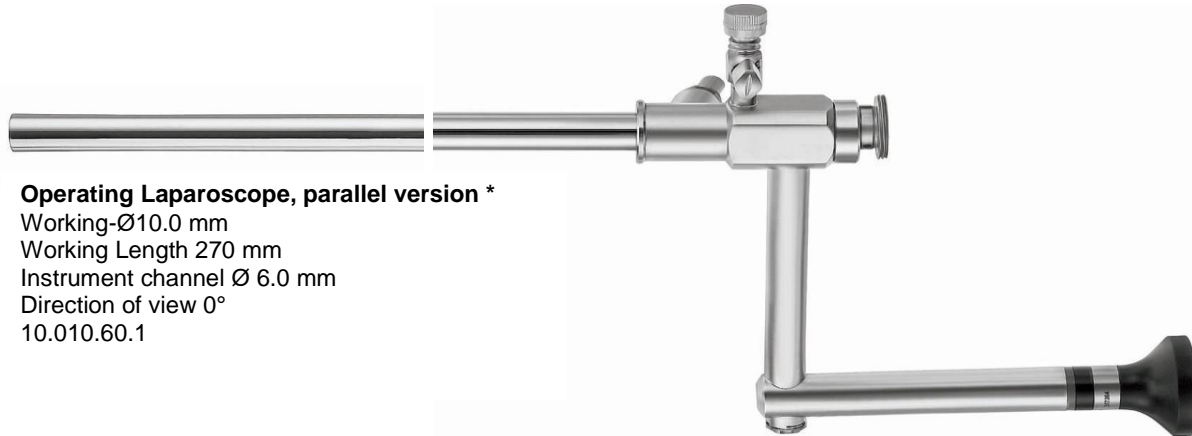
HD Laparoskop-Thorakoskop Ø 10.0 mm, WL 170 mm *

Direction of view

0°	10.010.50.1HD
30°	10.010.52.1HD

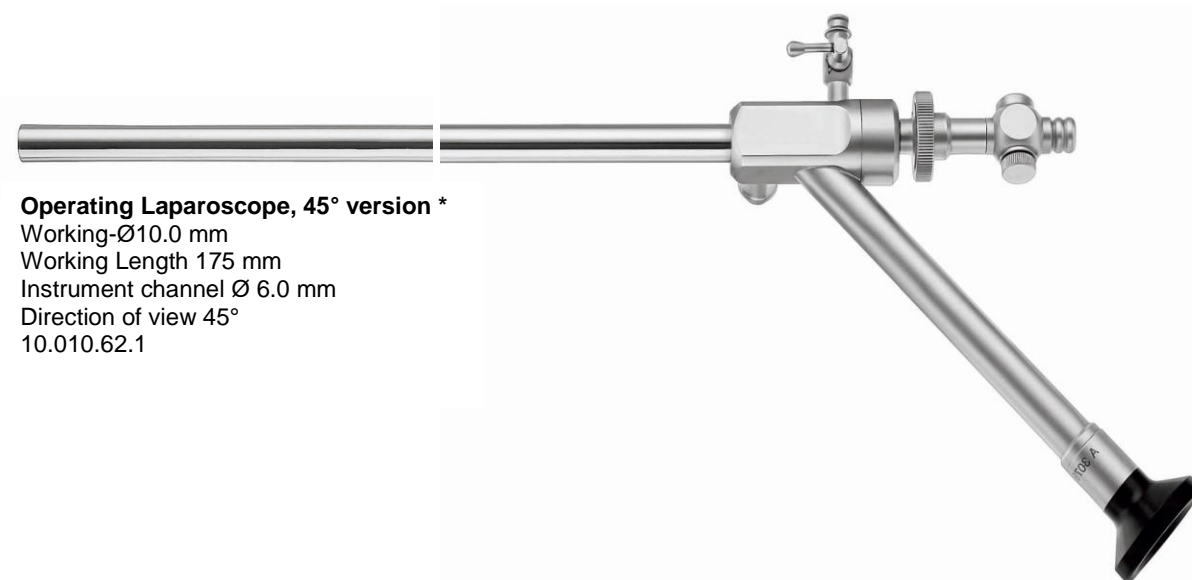


Laparoscopes and Accessories



Operating Laparoscope, parallel version *

Working-Ø10.0 mm
Working Length 270 mm
Instrument channel Ø 6.0 mm
Direction of view 0°
10.010.60.1



Operating Laparoscope, 45° version *

Working-Ø10.0 mm
Working Length 175 mm
Instrument channel Ø 6.0 mm
Direction of view 45°
10.010.62.1



Laparoscopes and Accessories



Ring applicator, Ø 6.0 mm, WL 330 mm, with applier and 1 insert cone
10.010.65.1



Ring applicator, Ø 7.0 mm, WL 290 mm, with applier and 1 insert cone
10.010.66.1



Insert cone for Ring-applicator 10.010.65 .1and 10.010.66.1
10.010.67.1



Silicone rings, 50 pcs./pack
10.010.70.1



Applier for Ring-applicator 10.010.65.1 and 10.010.66.1
10.010.68.1



Laparoscopes and Accessories



Cold light cable

Ø	Length	
3.5 mm	1800 mm	11.000.00.1
3.5 mm	2300 mm	11.002.00.1
3.5 mm	3000 mm	11.004.00.1
4.8 mm	1800 mm	11.010.00.1
4.8 mm	2300 mm	11.012.00.1
4.8 mm	3000 mm	11.014.00.1

Light source adaptor



Storz 11.001.00.1



Wolf / Dyonics 11.001.04.1



ACMI 11.001.06.1



Olympus 11.001.02.1

Endoscope adaptor



Storz / Olympus 11.001.20.1



Wolf / Dyonics 11.001.22.1



ACMI 11.001.24.1



LITE-LINE Trocar-System with silicone seal



LITE-LINE trocar cannula with stopcock

Inside-Ø	with smooth metal sleeve	with threaded metal sleeve
5.5 mm	12.005.05.1	12.007.05.1
11.0 mm	12.005.11.1	12.007.11.1
12.5 mm	12.005.12.1	12.007.12.1



LITE-LINE trocar, pyramidal point

5.5 mm	12.050.05.1
11.0 mm	12.050.11.1
12.5 mm	12.050.12.1



LITE-LINE silicone-seal

for 5.5 mm LITE-LINE-trocar-cannulas	12.016.05.1
for 11.0 + 12.5 mm LITE-LINE-trocar-cannulas	12.016.11.1



Trocar-Systems and Accessories



Trumpet valve cannula

Inside-Ø	with smooth metal sleeve	with threaded metal sleeve
3.5 mm	13.000.03.1	
5.5 mm	13.000.05.1	13.002.05.1
11.0 mm	13.000.11.1	13.002.11.1
12.5 mm	13.000.12.1	13.002.12.1



Automatic valve cannula

Inside-Ø	with smooth metal sleeve	with threaded metal sleeve
3.5 mm	13.005.03.1	
5.5 mm	13.005.05.1	13.007.05.1
11.0 mm	13.005.11.1	13.007.11.1
12.5 mm	13.005.12.1	13.007.12.1

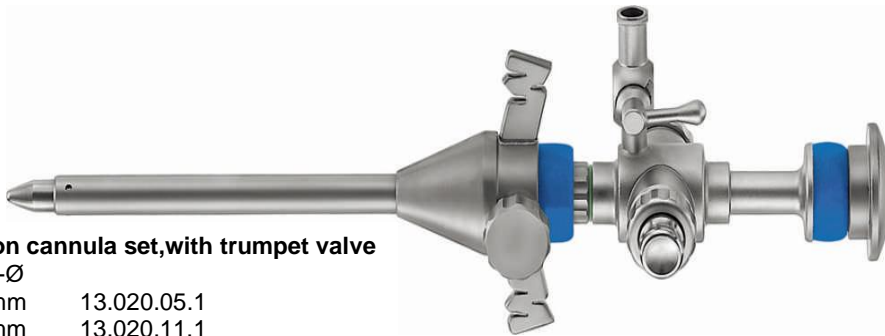


Automatic cannula with manual operated trap door valve

Inside-Ø	with smooth metal sleeve	with threaded metal sleeve
3.5 mm	13.010.03.1	
5.5 mm	13.010.05.1	13.012.05.1
11.0 mm	13.010.11.1	13.012.11.1
12.5 mm	13.010.12.1	13.012.12.1



Trocar-Systems and Accessories



Hasson cannula set, with trumpet valve

Inside-Ø

5.5 mm 13.020.05.1

11.0 mm 13.020.11.1

12.5 mm 13.020.12.1



Hasson cannula set, with automatic valve

Inside-Ø

5.5 mm 13.022.05.1

11.0 mm 13.022.11.1

12.5 mm 13.022.12.1

Hasson cannula set with manual operated trap door valve (wo. illu.)

Inside-Ø

5.5 mm 13.024.05.1

11.0 mm 13.024.11.1

12.5 mm 13.024.12.1



Trocar-Systems and Accessories



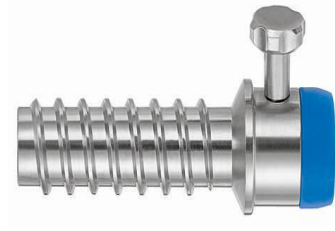
Hasson cone metal, with wing-thread-holder

Outside-Ø	
5.5 mm	13.026.05.1
11.0 mm	13.026.11.1
12.5 mm	13.026.12.1



Hasson cone plastic

Outside-Ø	
5.5 mm	13.026.05.1
11.0 mm	13.026.11.1
12.5 mm	13.026.12.1



Hasson trocar stop

Outside-Ø	
5.5 mm	13.026.05.1
11.0 mm	13.026.11.1
12.5 mm	13.026.12.1



Obturator

Outside-Ø	
5.5 mm	13.028.05.1
11.0 mm	13.028.11.1
12.5 mm	13.028.12.1

Accessories for trocar cannula, WL 100 mm



Inside-Ø	Smooth metal sleeve	Threaded metal sleeve	Smooth plastic sleeve	Threaded (wo. ill.)
3.5 mm	13.032.03.1			
5.5 mm	13.032.05.1	13.034.05.1	13.032.05.1P	13.034.05.1P
11.0 mm	13.032.11.1	13.034.11.1	13.032.11.1P	13.034.11.1P
12.5 mm	13.032.12.1	13.034.12.1	13.032.12.1P	13.034.12.1P



Trocar-Systems and Accessories

Seals for trocar cannulas



Inside-Ø main part

Sealing caps

O-rings

O-rings, for trocar sleeves

O-rings, for

	10 pcs./pack	10 pcs./pack	10 pcs./pack	10 pcs./pack
3.5 mm	13.036.03.1	13.038.03.1	13.044.03.1	13.046.03.1
5.5 mm	13.036.05.1	13.038.05.1	13.044.05.1	13.046.05.1
11.0 mm	13.036.11.1	13.038.11.1	13.044.11.1	13.046.11.1
12.5 mm	13.036.12.1	13.038.12.1	13.044.12.1	13.046.12.1



Trocar, pyramidal point

Outside-Ø

3.5 mm	13.050.03.1
5.5 mm	13.050.05.1
11.0 mm	13.050.11.1
12.5 mm	13.050.12.1



Trocar, conical point

Outside-Ø

3.5 mm	13.055.03.1
5.5 mm	13.055.05.1
11.0 mm	13.055.11.1
12.5 mm	13.055.12.1



Trocar-Systems and Accessories



Shielded trocar, three cutting edges with automatic tip cover

Outside

5.5 mm 13.060.05.1
11.0 mm 13.060.11.1
12.5 mm 13.060.12.1



Shielded single blade trocar with automatic edge cover

Outside-Ø

5.5 mm 13.061.05.1
10.5 mm 13.061.10.1
11.0 mm 13.061.11.1
12.5 mm 13.061.12.1



Veress shielded trocar, oblique

Outside-Ø

5.5 mm 13.062.05.1
11.0 mm 13.062.11.1
12.5 mm 13.062.12.1



Veress shielded trocar with single blade

Outside-Ø

5.5 mm 13.063.05.1
11.0 mm 13.063.11.1
12.5 mm 13.063.12.1



Trocar-Systems and Accessories



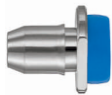
Reducer-sleeve

Outside-Ø	Inside-Ø		Endo-Ligature-Applicator
5.0 mm	4.0 mm	13.070.05.1	
10.0 mm	5.5 mm	13.070.10.1	
11.0 mm	5.5 mm	13.070.11.1	
12.5 mm	5.5 mm	13.070.12.1	
12.5 mm	10.0 mm	13.070.13.1	
15.0 mm	5.5 mm	13.070.15.1	
15.0 mm	10.0 mm	13.070.16.1	
20.0 mm	15.0 mm	13.070.20.1	
20.0 mm	10.0 mm	13.070.21.1	
20.0 mm	5.5 mm	13.070.22.1	



Dilation set with guide probe

Outside-Ø	Inside-Ø	
10.0 mm	5.0 mm	13.072.10.1
11.0 mm	5.0 mm	13.072.11.1
15.0 mm	10.0 mm	13.072.15.1
20.0 mm	10.0 mm	13.070.20.1



Reducer, short

Outside-Ø	Inside-Ø	
11.0 mm	5.0 mm	13.076.11.1
12.5 mm	5.0 mm	13.076.12.1

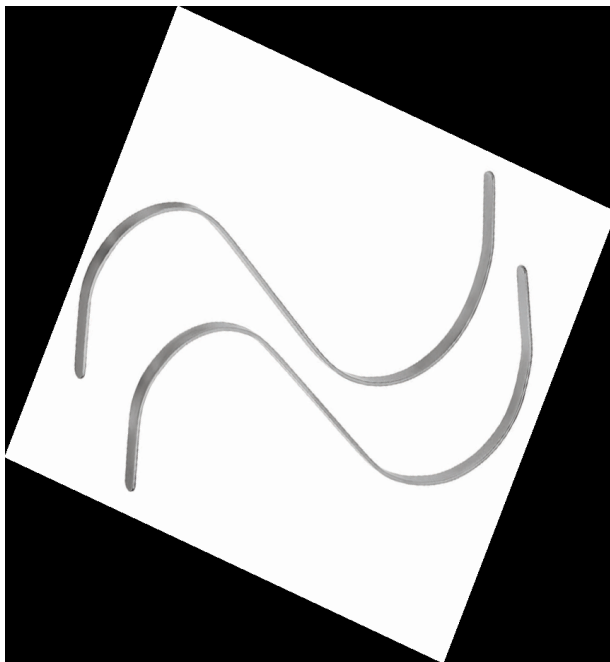


Trocar-Systems and Accessories



Veress insufflation-cannula

Working length	Ø 2.0 mm
80 mm	14.002.08.1
100 mm	14.002.10.1
120 mm	14.002.12.1
150 mm	14.002.15.1
170 mm	14.002.17.1
200 mm	14.002.20.1



S-retractor (in pairs)

5.5 mm	13.080.55.1
11.0 mm	13.080.11.1



Suction-/ Irrigation Systems



Single trumpet valve handle
15.001.00.1



**Double trumpet valve handle
with detachable ergonomic
handle plate**
15.004.00.1



**Pistol handle with maintenance-
2-way valve**
15.006.00.1



Adaptable suction-/irrigation tubes for 15.001.00.1 / 15.004.00.1 / 15.006.00.1

Outside-Ø	Working length	
3.0 mm	330 mm	15.000.03.1
5.0 mm	330 mm	15.000.05.1
10.0 mm	330 mm	15.000.10.1



**Maintenance-free 2-way valve with
rotating adaptor and LL-connector**
15.010.00.1



Suction-/ Irrigation Systems

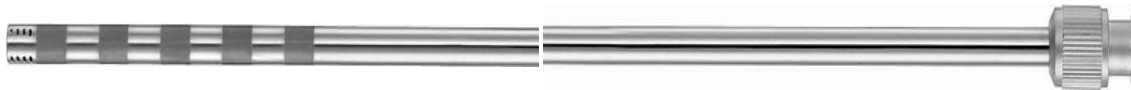


Adaptable injection-/puncture needle for 15.010.00.1

Outside-Ø	Working length	
5.0 mm	330 mm	15.010.50.1



Suction-/ Irrigation Systems



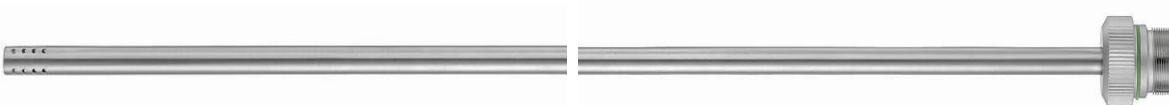
Adaptable suction-/irrigation tube for 15.010.00.1

Outside-Ø	Working length	
3.0 mm	330 mm	15.010.03.1
5.0 mm	330 mm	15.010.05.1
10.0 mm	330 mm	15.010.10.1



Endo-suction-/ irrigation handle

17.050.00.1



Endo suction-/ irrigation tubes, WL 330 mm, for 17.050.00.1

Ø 5.0 mm	17.050.05.1
Ø 10.0 mm	17.050.10.1



Suction-/ Irrigation Systems (5 mm)



**Suction-/irrigation handle
with Luer-Lock connection**
15.080.01.1



**Suction-/irrigation handle
with tube connection**
15.080.03.1



**Suction-/irrigation handle with
sliding valve and tube connection**
15.080.05.1

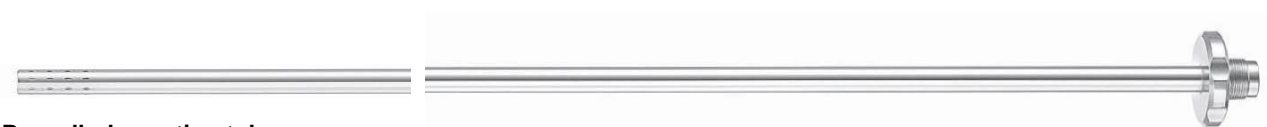
Suction-/ irrigation tubes Ø 5 mm for 15.080.01.1 / 15.080.03.1 / 15.080.05.1



Roundhole suction tube
Working length Holes
330 mm 4 15.080.10.1



Roundhole suction tube
Working length Holes
330 mm 16 15.080.11.1



Roundhole suction tube
Working length Holes
330 mm 32 15.080.12.1



Suction-/ irrigation tubes Ø 5 mm for 15.080.01.1 / 15.080.03.1 / 15.080.05.1

Suction tube with multiple holes

Working length

330 mm 15.080.15.1



Blunt suction tube w. multiple holes

Working length

330 mm 15.080.20.1

Blunt suction tube w. multiple holes

500 mm 15.080.21.1



Suction-/ Irrigation Systems (5 mm)



Suction tube with aspiration needle Working length 330 mm 15.080.25.1



Aqua dissector cannula Working length 330 mm 15.080.30.1



Blunt suction tube Working length 330 mm Holes 12 15.080.35.1



Suction-/ Irrigation Systems



Injection-/ puncture needle, with small LL-connector

Outside-Ø	Working length	
3.0 mm	330 mm	15.011.03.1
5.0 mm	330 mm	15.011.33.1
5.0 mm	450 mm	15.011.45.1



Suction-/ irrigation tube with two lateral trumpet valves

Outside-Ø	Working length	
5.0 mm	330 mm	15.015.05.1
5.0 mm	400 mm	15.015.10.1



Laser channel insert for 15.015.05.1 15.015.06.1



Blade handle for 15.015.05.1

15.020.05.1

Adaptable blades for blade handles 15.020.05.1 and 15.065.05.1



Rounded blade
15.020.10.1



Pointed blade, straight
15.020.12.1



Pointed blade, curved
15.020.14.1



Bipolar electrodes, outside-Ø 3.0 mm, WL 340 mm



Right angle electrode

Ø	Working length	
3.0 mm	330 mm	15.050.02.1
3.0 mm	400 mm	15.050.04.1



Needle electrode, 10.0 mm

Ø	Working length	
3.0 mm	330 mm	15.050.03.1
3.0 mm	400 mm	15.050.05.1



Modular Suction-/ Irrigation Systems



Suction-/ irrigation tube, with two lateral trumpet valves, outside-Ø 10.0 mm with 5.0 mm instrument channel, WL 330 mm

15.060.10.1

Note:

All monopolar HF-electrodes of series

16.021.45.1 / 16.022.45.1 / 16.023.45.1 / 16.024.45.1 / 16.025.45.1 / 16.026.45.1 / 16.027.45.1 and 16.028.45.1

are perfectly

suited for use with the Suction-/ irrigation tube 15.060.10.1



Blade handle, 5.0 mm, WL 380 mm

15.065.05.1

Adaptable blades for 15.065.05.1



Rounded blade

15.020.10.1



Pointed blade, straight

15.020.12.1



Pointed blade, curved

15.020.14.1



Bipolar electrodes, outside-Ø 5.0 mm, WL 340 mm



J-hook-electrode
15.070.01.1



J-hook-electrode
15.070.02.1



Spatula-electrode
15.070.03.1

Modular Suction-/ Irrigation System

Modulare Suction-/ irrigation handles with HF-connector and rotating adaptor for adaptable monopolar HF-electrodes 16.001.XX - 16.018.XX



Single trumpet valve handle
16.000.02.1



2-way valve handle
16.000.03.1



Modular Suction-/ Irrigation System



Double trumpet valve handle
16.000.04.1



Double trumpet valve handle with detachable ergonomic handle plate
16.000.05.1

Modular Suction-/ Irrigation System



Pistol handle with maintenance free 2-way valve
16.000.06.1



Monopolar HF-Electrodes

1-



Adaptable monopolar HF-elektrodes for modular handles of series

16.000.02.1 / 16.000.03.1 / 16.000.04.1 / 16.000.05.1 and 16.000.06.1

2-



Adaptable monopolar HF-elektrodes for modular handles of series

16.000.02.1 / 16.000.03.1 / 16.000.04.1 / 16.000.05.1 and 16.000.06.1 with sliding insulation



Hook electrode, thin

	Working length		Working length	
Ø 5.0 mm	330 mm	16.001.33.1	330 mm	16.011.33.1
Ø 5.0 mm	450 mm	16.001.45.1	450 mm	16.011.45.1



Hook electrode, thick

	Working length		Working length	
Ø 5.0 mm	330 mm	16.002.33.1	330 mm	16.012.33.1
Ø 5.0 mm	450 mm	16.002.45.1	450 mm	16.012.45.1



Right angle electrode

	Working length		Working length	
Ø 5.0 mm	330 mm	16.003.33.1	330 mm	16.013.33.1
Ø 5.0 mm	450 mm	16.003.45.1	450 mm	16.013.45.1



Spatula electrode

	Working length		Working length	
Ø 5.0 mm	330 mm	16.004.33.1	330 mm	16.014.33.1
Ø 5.0 mm	450 mm	16.004.45.1	450 mm	16.014.45.1



Monopolar HF-Electrodes



Ball point electrode

	Working length		Working length	
Ø 5.0 mm	330 mm	16.005.33.1	330 mm	16.015.33.1
Ø 5.0 mm	450 mm	16.005.45.1	450 mm	16.015.45.1

Monopolar HF-Electrodes



Knife electrode

	Working length		Working length	
Ø 5.0 mm	330 mm	16.006.33.1	330 mm	16.016.33.1
Ø 5.0 mm	450 mm	16.006.45.1	450 mm	16.016.45.1



45° needle electrode

	Working length		Working length	
Ø 5.0 mm	330 mm	16.007.33.1	330 mm	16.017.33.1
Ø 5.0 mm	450 mm	16.007.45.1	450 mm	16.017.45.1



Needle electrode

	Working length		Working length	
Ø 5.0 mm	330 mm	16.008.33.1	330 mm	16.018.33.1
Ø 5.0 mm	450 mm	16.008.45.1	450 mm	16.018.45.1



Suction-/irrigation tube

	Working length	
Ø 5.0 mm	330 mm	16.009.33.1
Ø 5.0 mm	450 mm	16.009.45.1



Monopolar HF-Electrodes

3-



Monopolar electrodes with HF-connector



Hook electrode, thin

	Working length		
Ø 5.0 mm	330 mm	16.021.33.1	
Ø 5.0 mm	450 mm	16.021.45.1	



Hook electrode, thick

	Working length		
Ø 5.0 mm	330 mm	16.022.33.1	
Ø 5.0 mm	450 mm	16.022.45.1	

Monopolar HF-Electrodes



Right angle electrode

	Working length		
Ø 3.0 mm	300 mm	16.023.03.1	
Ø 5.0 mm	330 mm	16.023.33.1	
Ø 5.0 mm	450 mm	16.023.45.1	



Spatula electrode

	Working length		
Ø 3.0 mm	300 mm	16.024.03.1	
Ø 5.0 mm	330 mm	16.024.33.1	
Ø 5.0 mm	450 mm	16.024.45.1	



Ball point electrode

	Working length		
Ø 3.0 mm	300 mm	16.025.03.1	
Ø 5.0 mm	330 mm	16.025.33.1	
Ø 5.0 mm	450 mm	16.025.45.1	



Monopolar HF-Electrodes



Knife electrode

Working length		
Ø 5.0 mm	330 mm	16.026.33.1
Ø 5.0 mm	450 mm	16.026.45.1



45° needle electrode

Working length		
Ø 5.0 mm	330 mm	16.027.33.1
Ø 5.0 mm	450 mm	16.027.45.1



Needle electrode

Working length		
Ø 3.0 mm	300 mm	16.025.03.1
Ø 5.0 mm	330 mm	16.028.33.1
Ø 5.0 mm	450 mm	16.028.45.1



Monopolar Cables

For all instruments with male monopolar 4 mm connector, for example:



MIS-instruments



Laparoscopy electrodes



Monopolar forceps

1-



Standard instrument connector

2-



Safety instrument connector

Unique safety sleeve - makes conventional 4 mm connectors touch-safe

Firm hold at the instrument due to gold-plated spring contacts
For all common ESU's
Instrument side - connector GREY
Generator side - connector BLACK
Meets IEC 601 requirements



Monopolar Cables

Generator side

Martin, Berchtold, Erbe T-Series



4 mm

1-
with standard instrument connector

Length
3000 mm 16.100.00.1
5000 mm 16.100.02.1

2-
with safety instrument connector

Length
3500 mm 16.101.00.1

Erbe ACC/ICC-Series



4 mm

1-
with standard instrument connector

Length
3000 mm 16.100.10.1
5000 mm 16.100.12.1

2-
with safety instrument connector

Length
3500 mm 16.101.10.1

US-American ESU's



1-
with standard instrument connector

Length
3000 mm 16.100.20.1
5000 mm 16.100.22.1

2-
with safety instrument connector

Length
3500 mm 16.101.20.1



Accessories



Knot pusher, suture opening

Ø	Working length	
3.0 mm	300 mm	17.002.30.1
5.0 mm	330 mm	17.002.33.1
5.0 mm	450 mm	17.002.45.1



Knot pusher, without suture opening

Ø	Working length	
5.0 mm	330 mm	17.003.33.1
5.0 mm	450 mm	17.003.45.1



Knot pusher, grooved, Ø 5.0 mm

Ø	Working length	
5.0 mm	330 mm	17.004.33.1
5.0 mm	450 mm	17.004.45.1



Palpation probe, graduated

Ø	Working length	
3.0 mm	300 mm	17.005.30.1
5.0 mm	330 mm	17.005.33.1
5.0 mm	450 mm	17.005.45.1



Accessories



Myoma screw, Ø 5.0 mm

Working length

330 mm 17.020.33.1

450 mm 17.020.45.1



Myoma screw, Ø 10.0 mm

Working length

330 mm 17.025.33.1

450 mm 17.025.45.1



Fan retractor, Ø 5.0 mm, WL 340 mm

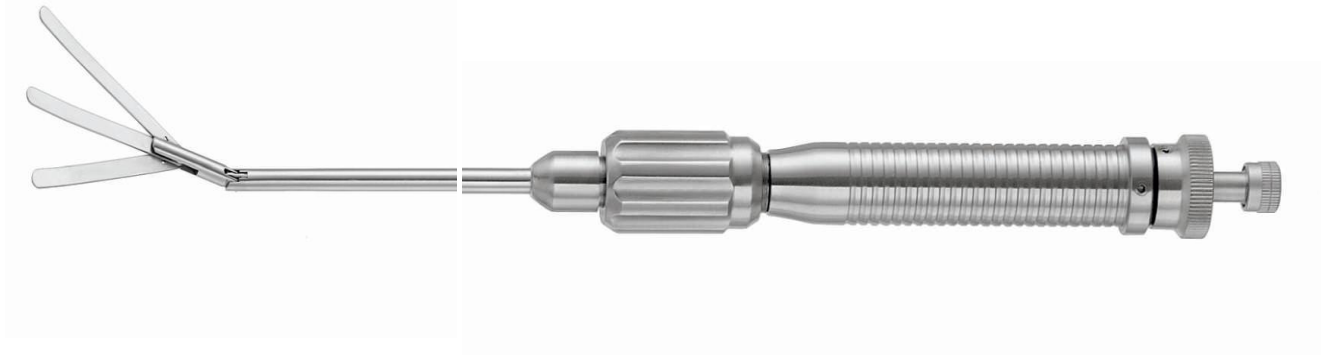
17.113.33.1

Fan retractor, Ø 10.0 mm, WL 380 mm

17.114.33.1



Accessories



Fan retractor, adjustable, Ø 5.0 mm, WL 340 mm
17.115.33.1

Fan retractor, adjustable, Ø 10.0 mm, WL 380 mm
17.116.33.1

Accessories



Speculum with 3 blades for
bladder gall extraction, WL 70 mm
17.120.00.1



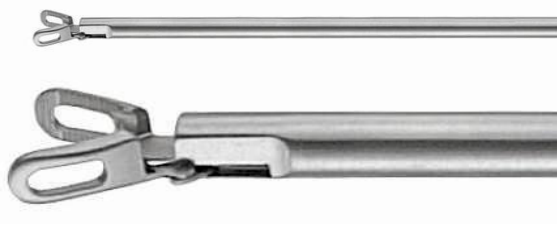
Accessories



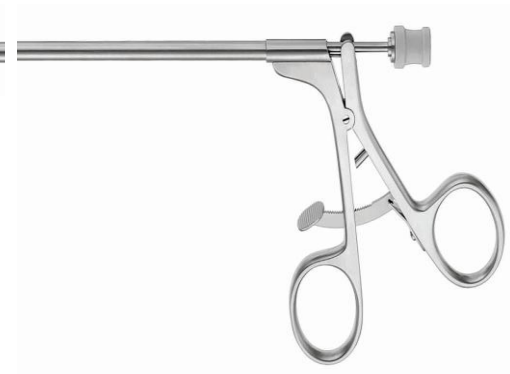
Aggressive 3-prong grasper, 5.0 mm, WL 330 mm
17.160.33.1



Allis 3-prong grasper, 5.0 mm, WL 330 mm
17.161.33.1



**Cholangiography fixation forceps,
Ø 5.0 mm, WL 330 mm**
17.300.00.1

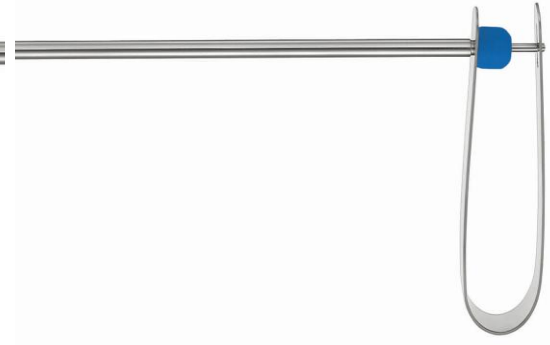




Accessories



Grasping forceps with spring handle,
Ø 5.0 mm, WL 330 mm



Bowel forceps
17.070.33.1



Atraumatic grasping forceps
17.071.33.1



T-pattern forceps
17.072.33.1



Square-pattern forceps
17.073.33.1



Ring-pattern forceps
17.074.33.1



Arm system with telescope holder



Arm system with telescope holder

with telescope holder \varnothing 8-10 mm

91.110.40.1

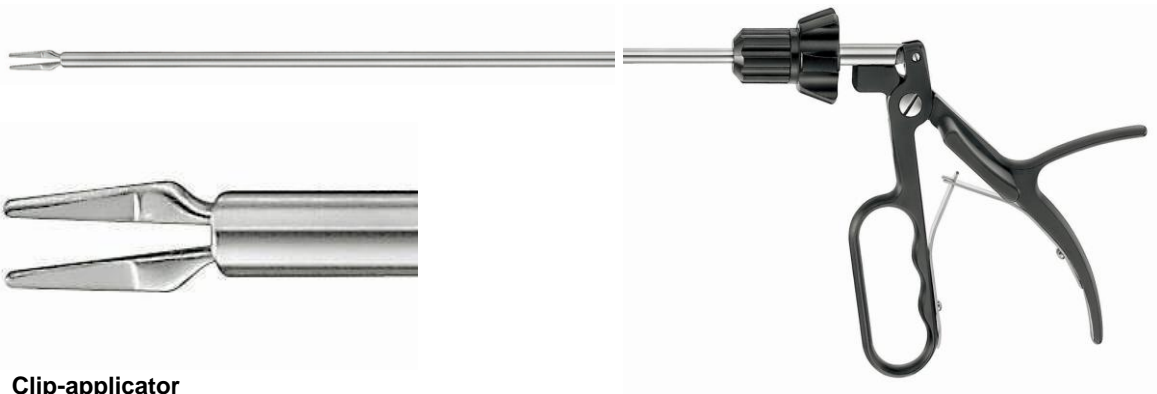
with universal telescope holder \varnothing 2.7-10 mm

91.120.40.1



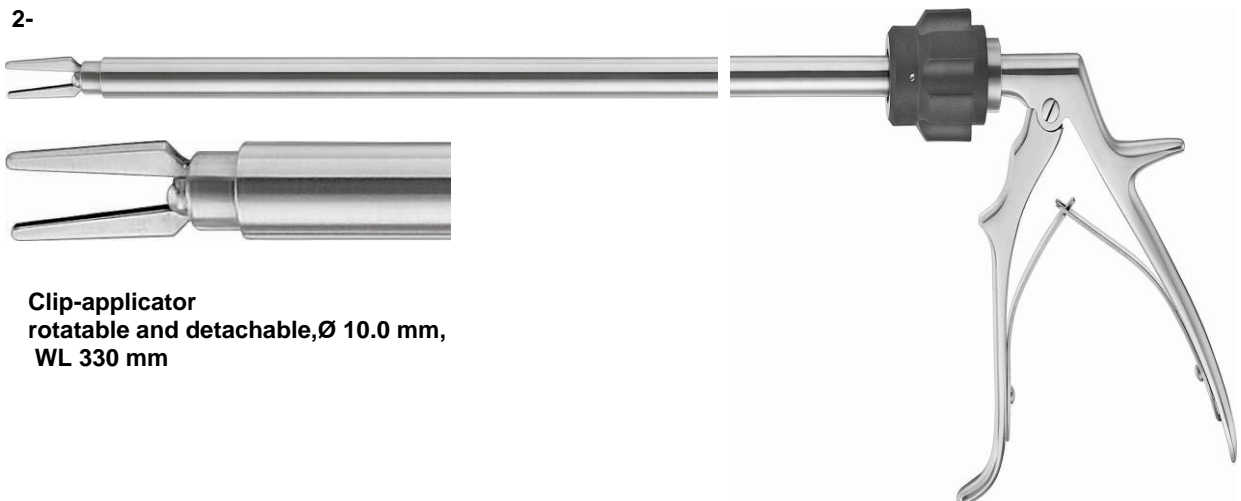
Clip-Applicators

1-



Clip-applicator
rotatable and detachable, \varnothing 5.0 mm,
WL 330 mm

2-

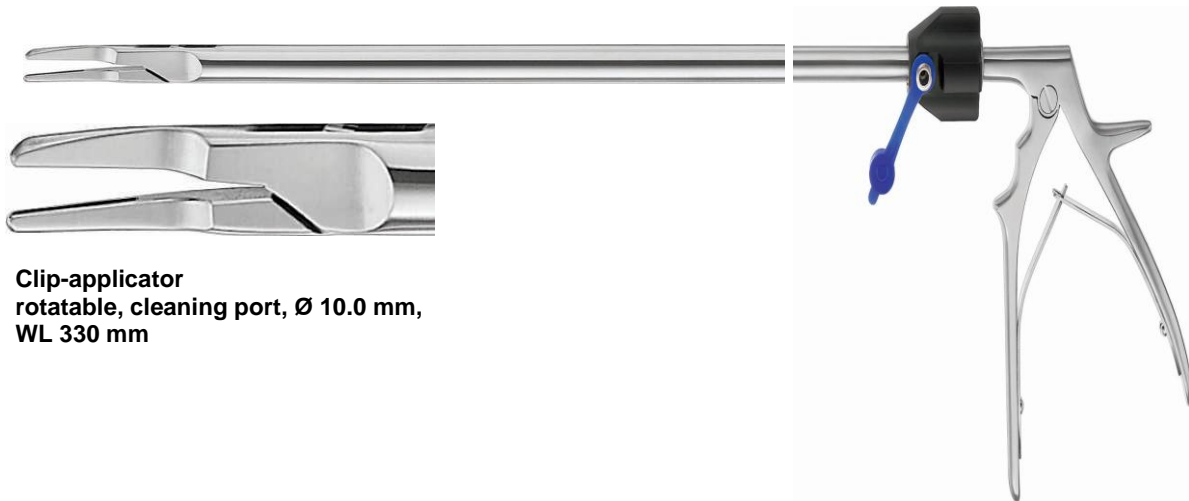


Clip-applicator
rotatable and detachable, \varnothing 10.0 mm,
WL 330 mm



Clip-Applicators

3-



Clip-applicator
rotatable, cleaning port, Ø 10.0 mm,
WL 330 mm



**1-
Clip-applicator**
rotatable and detachable,
Ø 5.0 mm, WL 330 mm



**2-
Clip-applicator**
rotatable and detachable,
Ø 10.0 mm, WL 330 mm



**3-
Clip-applicator**
rotatable, cleaning port,
Ø 10.0 mm, WL 330 mm

For Ethicon-Titanclips

small 17.190.01.1
Medium 17.190.02.1
medium-large
large

17.202.01.1
17.202.02.1
17.202.03.1
17.202.04.1

17.200.01.1
17.200.02.1
17.200.03.1
17.200.04.1

Pilling-Titanclips

small 17.190.10.1
Medium 17.190.11.1
medium-large

17.202.10.1
17.202.11.1
17.202.12.1

17.200.10.1
17.200.11.1
17.200.12.1



Clip-Applicators

Weck-Titanclips

smal	17.190.20.1	17.202.20.1	17.200.20.1
Medium	17.190.21.1	17.202.21.1	17.200.21.1
medium-large		17.202.22.1	17.200.22.1

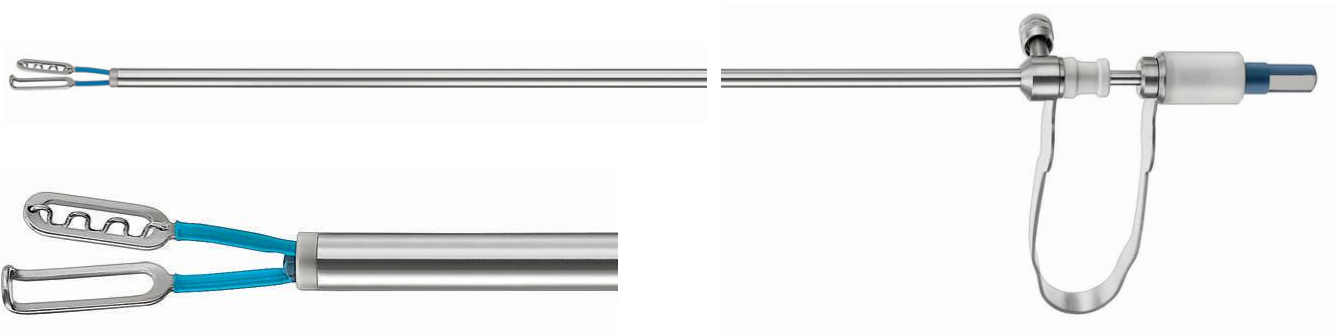
Horizon-Titanclips

smal	17.190.30.1	17.202.30.1	17.200.30.1
Medium	17.190.31.1	17.202.31.1	17.200.31.1
medium-large		17.202.32.1	17.200.32.1

Upon request clip-applicators can be produced in different sizes and types.



Bipolar Forceps, 5 mm, rigid, with Cleaning Port



Bipolar coagulation forceps, with rippled bar

Working length

330 mm	18.001.33.1
450 mm	18.001.45.1



Bipolar coagulation forceps, 3.0 mm jaw

Working length

330 mm	18.003.33.1
450 mm	18.003.45.1



Bipolar coagulation forceps, 1.0 mm jaw

Working length

330 mm	18.005.33.1
450 mm	18.005.45.1

All Bipolar forceps with flat plug



Micro-Bipolar-Forceps 3 mm, detachable

Cost - effective "limited reuse" electrode inserts



3 mm Ø for micro - invasive surgical procedures
plug



Comfortable handle With flat





Micro-Bipolar-Forceps 3 mm, detachable



Working length
240 mm

For use in the larynx, for paediatric surgery and for minimally invasive thyroid gland surgery.

Working length
320 mm

For use in micro-laparoscopic surgery



Bipolar coagulation grasping
forceps, complete, fenestrated

Working length

340 mm, mit Ringgriff

18.050.01.1

340 mm, mit Standardgriff

18.050.02.1



Bipolar micro-coagulation
forceps, straight, complete

Working length

340 mm, mit Ringgriff

18.050.05.1

340 mm, mit Standardgriff

18.050.06.1



Bipolar coagulation grasping
forceps insert, fenestrated

Working length

340 mm

18.051.02.1



Micro-Bipolar-Forceps 3 mm, detachable



**Bipolar micro-coagulation
forceps insert, straight**

Working length
340 mm

18.051.06.1



Spare shaft

Working length
340 mm

18.052.01.1

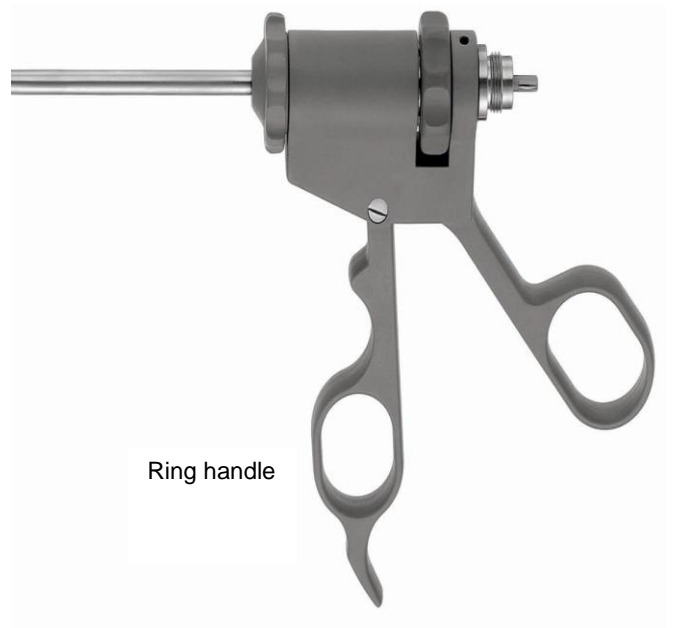


Modular Bipolar Coagulation Forceps, 5 mm

Reusable instrument for use in laparoscopy for grasping and cutting tissue during bipolar coagulation. Generator Specifications: This instrument has been designed for connection to the bipolar output of electrosurgical generators. The maximum power out shall not exceed 60 Watts



Comfortable handling
The electrode can be rotated 360° for accurate jaw orientation. There is no receding of the jaw when closing. This allows precise grasping and coagulation of the tissue



Ring handle



standard handle

Hygiene and cost effectiveness

The forceps are easily detachable. This allows to reliably clean even highly inaccessible areas. Because of its modular design, all parts are interchangeable and therefore easy to repair. The various electrodes can be all used in the same, ergonomically designed handle.

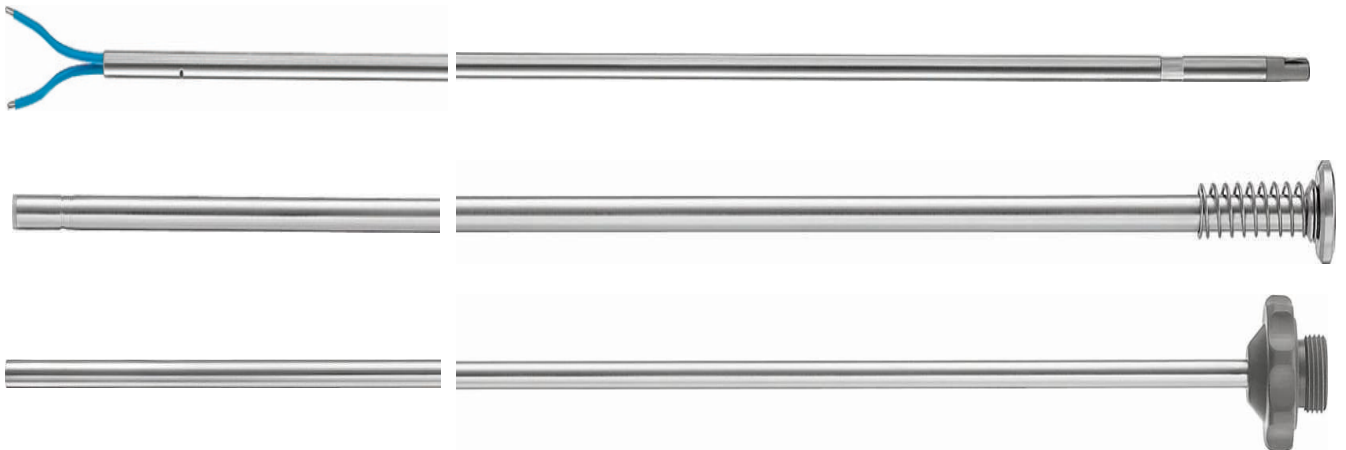


Modular Bipolar Coagulation Forceps, 5 mm



Compatibility

The forceps in conjunction with the respective connection cable is compatible with the bipolar output of most electro-surgical generators not exceeding 60 Watts. An adaptor can be used in order to connect a standard bipolar forceps cable.



Modular Bipolar Coagulation Forceps, 5 mm

Modular bipolar forceps and scissors, complete



Bipolar forceps with rippled bar

Working length	Ring handle	Standard handle
200 mm	18.100.20.1	18.120.20.1
340 mm	18.100.34.1	18.120.34.1
450 mm	18.100.45.1	18.120.45.1

Inserts for electrodes, only

Working length	
200 mm	18.200.20.1
340 mm	18.200.34.1
450 mm	18.200.45.1



Modular Bipolar Coagulation Forceps, 5 mm



Fine bipolar forceps, 1.0 mm jaw

Working length	Ring handle	Standard handle	Working length
200 mm	18.102.20.1	18.122.20.1	200 mm 18.202.20.1
340 mm	18.102.34.1	18.122.34.1	340 mm 18.202.34.1
450 mm	18.102.45.1	18.122.45.1	450 mm 18.202.45.1



Bipolar forceps, 3.0 mm jaw

Working length	Ring handle	Standard handle	Working length
200 mm	18.104.20.1	18.124.20.1	200 mm 18.204.20.1
340 mm	18.104.34.1	18.124.34.1	340 mm 18.204.34.1
450 mm	18.104.45.1	18.124.45.1	450 mm 18.204.45.1



Bipolar forceps, serrated jaw

Working length	Ring handle	Standard handle	Working length
200 mm	18.106.20.1	18.126.20.1	200 mm 18.206.20.1
340 mm	18.106.34.1	18.126.34.1	340 mm 18.206.34.1
450 mm	18.106.45.1	18.126.45.1	450 mm 18.206.45.1



Modular Bipolar Coagulation Forceps, 5 mm



Bipolar scissors, curved

Working length	Ring handle	Standard handle	Working length	
200 mm	18.108.20.1	18.128.20.1	200 mm	18.208.20.1
340 mm	18.108.34.1	18.128.34.1	340 mm	18.208.34.1
450 mm	18.108.45.1	18.128.45.1	450 mm	18.208.45.1

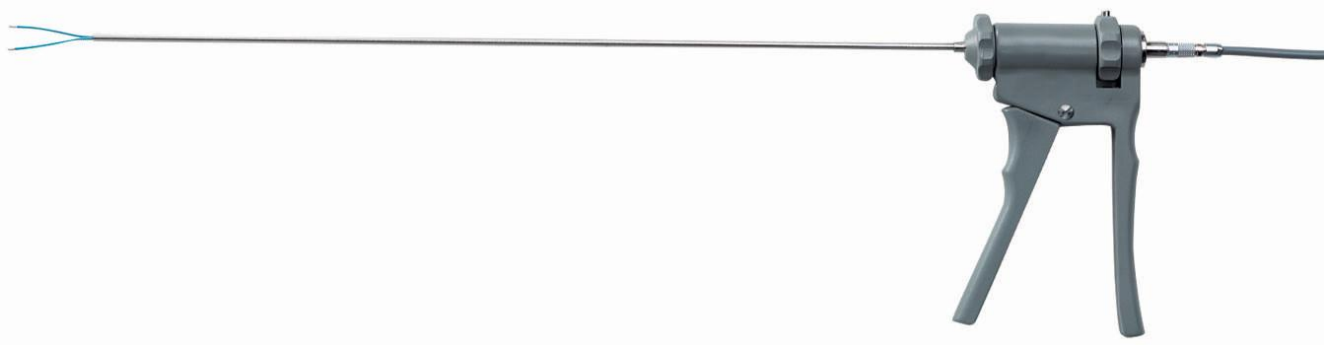


Bipolar dissector Maryland

Working length	Ring handle	Standard handle	Working length	
200 mm	18.110.20.1	18.130.20.1	200 mm	18.210.20.1
340 mm	18.110.34.1	18.130.34.1	340 mm	18.210.34.1
450 mm	18.110.45.1	18.130.45.1	450 mm	18.210.45.1



Micro-Bipolar-coagulation forceps, 3 mm



Standard handle
18.053.10.1



Ring handle
18.053.05.1

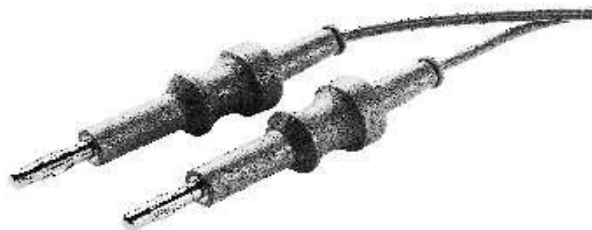


Micro-Bipolar-coagulation forceps, 3 mm



Bipolar cable 3m

Micro-Bipolar-coagulation forceps, 3 mm



2-Banana
18.055.00.1



Micro-Bipolar-coagulation forceps, 3 mm



Valleylab
18.055.01.1



Martin
18.055.02.1



Erbe
18.055.03.1



Micro-Bipolar-coagulation forceps, 3 mm



Double shaft

18.052.02.1



Micro-electrode, rippled bar

18.051.02.1

Micro-electrode, rippled bar, complete with ring-handle

18.050.07.1



Micro-electrode, fluted tip

18.051.06.1

Micro-electrode, fluted tip, complete with ring-handle

18.050.05.1



Modular Bipolar Coagulation Forceps, 5 mm



Standard handle

18.300.05.1

Ring handle

18.300.10.1

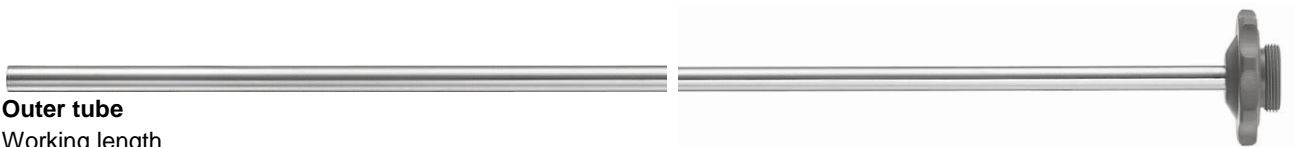
Outer tube

Working length

200 mm 18.305.20.1

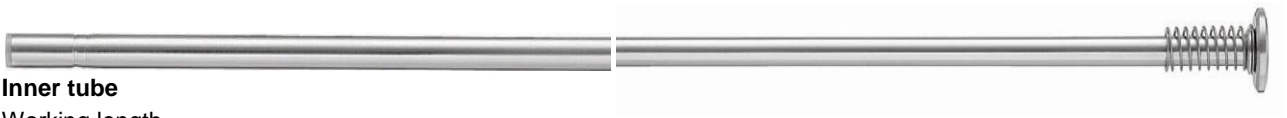
340 mm 18.305.34.1

450 mm 18.305.45.1





Modular Bipolar Coagulation Forceps, 5 mm



Inner tube

Working length

200 mm	18.306.20.1
340 mm	18.306.34.1
450 mm	18.306.45.1



Adaptor with flat plug

18.310.01.1

Bipolar Silicone Cables

Instrument-side



Bipolar silicone cables with universal plug

Universal bipolar plug fitting to instruments with flat connector

Advantages:

- high-quality silicone cable
- smooth surface, easy to clean
- free of latex

Generator-side



Erbe / Storz / Wolf

length	Universal plug
3000 mm	18.900.01.1
4500 mm	
5000 mm	18.900.02.1

Safety plug

18.901.02.1



Modular Bipolar Coagulation Forceps, 5 mm



Bipolar silicone cables with safety plug

Advantages:

- high-quality silicone cable
- smooth surface, easy to clean
- free of latex
- complete touch-safety



Valleylab

length	Universal plug	Safety plug
3000 mm	18.900.05.1	
4500 mm		18.901.06.1
5000 mm	18.900.06.1	



Martin / Berchtold / Aesculap

length	Universal plug	Safety plug
3000 mm	18.900.10.1	
4500 mm		18.901.11.1
5000 mm	18.900.11.1	



US Standard / Erbe / ICC International

length	Universal plug	Safety plug
3000 mm	18.900.15.1	
4500 mm		18.901.16.1
5000 mm	18.900.16.1	



Instruments rotatable-/detachable :



Metal handle
19.20.1



Metal handle with spring
19.21.1



Metal handle, ratchet
19.22.1



Insulated metal handle, HF-connector
19.26.1



Carbon handle, HF-connector
19.240.1



Instruments rotatable-/detachable



**Carbon handle, HF-connector
(finger rest)**
19.241.1



Carbon handle, spring, HF-connector
19.250.1



**Carbon handle, spring, HF-connector
(finger rest)**
19.251.1



Carbon handle, ratchet, HF-connector
19.260.1



Instruments rotatable-/detachable



**Carbon handle, ratchet, HF-connector
(finger rest)**
19.261.1



**Carbon handle, activating/deactivating ratchet,
HF-connector**
19.270.1



**Carbon handle, activating/deactivating
ratchet, HF-connector (finger rest)**
19.271.1



Carbon handle, 'swingaway', HF-connector
19.281.1



Instruments rotatable-/detachable



Metal shaft with shaft knob

		Working length	Working length	Working length
		220 mm	330 mm	450 mm
Ø	5.0 mm	19.50/22.1	19.50/33.1	19.50/45.1
Ø	10,0- 5.0 mm	19.51/22.1	19.51/33.1	19.51/45.1
Ø	10.0 mm	19.51/22.1	19.52/33.1	



Metal shaft with cleaning port and shaft knob

		Working length	Working length	Working length
		220 mm	330 mm	450 mm
Ø	5.0 mm	19.55/22.1	19.55/33.1	19.55/45.1
Ø	10,0- 5.0 mm	19.56/22.1	19.56/33.1	19.56/45.1
Ø	10.0 mm	19.57/22.1	19.57/33.1	19.57/45.1



Insulated shaft with shaft knob

		Working length	Working length	Working length
		220 mm	330 mm	450 mm
Ø	5.0 mm	19.60/22.1	19.60/33.1	19.60/45.1
Ø	10,0- 5.0 mm	19.61/22.1	19.61/33.1	19.61/45.1
Ø	10.0 mm	19.62/22.1	19.62/33.1	19.62/45.1

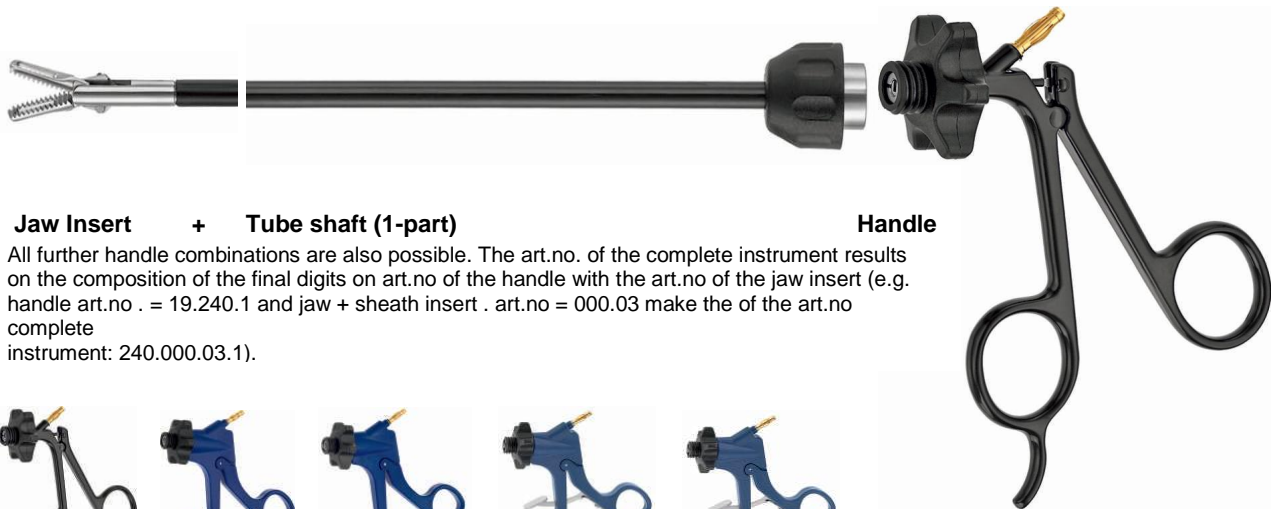


Shaft knob

Ø	5.0 mm	19.80/5.1
Ø	10.0 mm	19.80/10.1



3 mm Grasping- and Dissecting Forceps, detachable + rotatable (2-part)



Jaw Insert + Tube shaft (1-part)

Handle

All further handle combinations are also possible. The art.no. of the complete instrument results on the composition of the final digits on art.no of the handle with the art.no of the jaw insert (e.g. handle art.no . = 19.240.1 and jaw + sheath insert . art.no = 000.03 make the of the art.no complete instrument: 240.000.03.1).



19.26.1 19.240.1 19.241.1 19.260.1 19.261.1
recommended handle



Dissecting forceps, serrated, 3.0/300mm

Working length	Jaw + Shaft	Handle	Complete
300 mm	008.03.1	19.26.1	26.008.03.1



Maryland forceps, 3.0/300mm

Working length	Jaw + Shaft	Handle	Complete
300 mm	010.03.1	19.26.1	26.010.03.1



3 mm Grasping- and Dissecting Forceps, detachable + rotatable (2-part)



Kelly grasping forceps, curved, 3.0/300mm

Working length	Jaw + Shaft	Handle	Complete
300 mm	012.03.1	19.26.1	26.012.03.1



Grasping forceps, fenestrated, 3.0/300mm

Working length	Jaw + Shaft	Handle	Complete
300 mm	020.03.1	19.26.1	26.020.03.1



Alligator grasping forceps, 3.0/300mm

Working length	Jaw + Shaft	Handle	Complete
300 mm	032.03.1	19.26.1	26.032.03.1



Maxi atraumatic forceps, 3.0/300mm

Working length	Jaw + Shaft	Handle	Complete
300 mm	042.03.1	19.26.1	26.042.03.1



3 mm Biopsy Forceps, detachable + rotatable (2-part)



Jaw Insert + Tube shaft (1-part)

Handle

All further handle combinations are also possible. The art.no. of the complete instrument results on the composition of the final digits on art.no of the handle with the art.no of the jaw insert (e.g. handle art.no. = 19.240.1 and jaw + sheath insert . art.no = 000.03 make the of the art.no complete instrument: 240.000.03.1).



19.26.1



19.240.1



19.241.1



19.260.1



19.261.1

recommended handle



Biopsy forceps (oval), 3.0/300mm

Working length	Jaw + Shaft	Handle	Complete
300 mm	084.03.1	19.26.1	26.084.03.1



3 mm Scissors (2-part)



Jaw Insert + Tube shaft (1-part)

Handle

All further handle combinations are also possible. The art.no. of the complete instrument results on the composition of the final digits on art.no of the handle with the art.no of the jaw insert (e.g. handle art.no. = 19.240.1 and jaw + sheath insert . art.no = 000.03 make the of the art.no complete instrument: 240.000.03.1).



19.26.1

recommended handle



19.240.1



19.241.1



19.260.1



19.261.1



Peritoneal scissors, straight, 3.0/300mm

Working length	Jaw + Shaft	Handle	Complete
300 mm	204.03.1	19.26.1	26.204.03.1



Hook-scissors, 3.0/300mm

Working length	Jaw + Shaft	Handle	Complete
300 mm	206.03.1	19.26.1	26.206.03.1

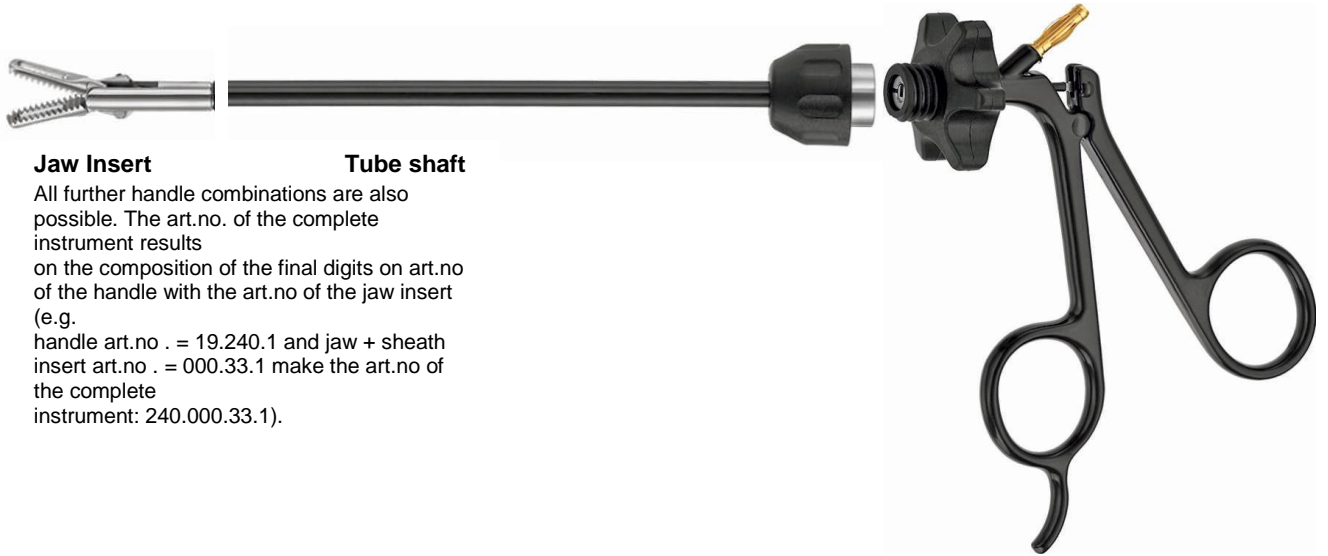


Metzenbaum-scissors, curved, 3.0/300mm

Working length	Jaw + Shaft	Handle	Complete
300 mm	210.03.1	19.26.1	26.210.03.1



5 mm Grasping- and Dissecting Forceps



Jaw Insert

All further handle combinations are also possible. The art.no. of the complete instrument results on the composition of the final digits on art.no of the handle with the art.no of the jaw insert (e.g. handle art.no . = 19.240.1 and jaw + sheath insert art.no . = 000.33.1 make the art.no of the complete instrument: 240.000.33.1).

Tube shaft

Handle



19.20.1 19.21.1 19.22.1 19.26.1 19.240.1 19.241.1 19.250.1 19.251.1 19.260.1 19.261.1 19.270.1 19.271.1 19.281.1



Grasping forceps, pointed

Working length	Jaw + Shaft	Tube shaft	Handle	Complete
220 mm	000.22.1	19.60/22 .1	19.26.1	26.000.22.1
330 mm	000.33.1	19.60/33 .1	19.26.1	26.000.33.1
450 mm	000.45.1	19.60/45 .1	19.26.1	26.000.44.1



5 mm Grasping- and Dissecting Forceps



Long Dolphin grasping forceps

Working length	Jaw + Shaft	Tube shaft	Handle	Complete
220 mm	002.22.1	19.60/22 .1	19.26.1	26.002.22.1
330 mm	002.33.1	19.60/33 .1	19.26.1	26.002.33.1
450 mm	002.45.1	19.60/45 .1	19.26.1	26.002.45.1



Short Dolphin grasping forceps

Working length	Jaw + Shaft	Tube shaft	Handle	Complete
220 mm	004.22.1	19.60/22 .1	19.26.1	26.004.22.1
330 mm	004.33.1	19.60/33 .1	19.26.1	26.004.33.1
450 mm	004.45.1	19.60/45 .1	19.26.1	26.004.45.1



Long grasping forceps with spoon

Working length	Jaw + Shaft	Tube shaft	Handle	Complete
220 mm	006.22.1	19.60/22 .1	19.26.1	26.006.22.1
330 mm	006.33.1	19.60/33 .1	19.26.1	26.006.33.1
450 mm	006.45.1	19.60/45 .1	19.26.1	26.006.45.1



Diss.- and grasping forceps, heavy pattern

Working length	Jaw + Shaft	Tube shaft	Handle	Complete
220 mm	008.22.1	19.60/22 .1	19.26.1	26.008.22.1
330 mm	008.33.1	19.60/33 .1	19.26.1	26.008.33.1
450 mm	008.45.1	19.60/45 .1	19.26.1	26.008.45.1



5 mm Grasping- and Dissecting Forceps



Maryland grasping forceps

Working length	Jaw + Shaft	Tube shaft	Handle	Complete
220 mm	010.22.1	19.60/22 .1	19.26.1	26.010.22.1
330 mm	010.33.1	19.60/33 .1	19.26.1	26.010.33.1
450 mm	010.45.1	19.60/45 .1	19.26.1	26.010.45.1



Kelly grasping forceps

Working length	Jaw + Shaft	Tube shaft	Handle	Complete
220 mm	012.22.1	19.60/22 .1	19.26.1	26.012.22.1
330 mm	012.33.1	19.60/33 .1	19.26.1	26.012.33.1
450 mm	012.45.1	19.60/45 .1	19.26.1	26.012.45.1



Long atraumatic grasping forceps

Working length	Jaw + Shaft	Tube shaft	Handle	Complete
220 mm	014.22.1	19.60/22 .1	19.26.1	26.014.22.1
330 mm	014.33.1	19.60/33 .1	19.26.1	26.014.33.1
450 mm	014.45.1	19.60/45 .1	19.26.1	26.014.45.1



Long atraumatic concave grasping forceps

Working length	Jaw + Shaft	Tube shaft	Handle	Complete
220 mm	016.22.1	19.60/22 .1	19.26.1	26.016.22.1
330 mm	016.33.1	19.60/33 .1	19.26.1	26.016.33.1
450 mm	016.45.1	19.60/45 .1	19.26.1	26.016.45.1



Fenestrated grasping forceps

Working length	Jaw + Shaft	Tube shaft	Handle	Complete
220 mm	018.22.1	19.60/22 .1	19.26.1	26.018.22.1
330 mm	018.33.1	19.60/33 .1	19.26.1	26.018.33.1
450 mm	018.45.1	19.60/45 .1	19.26.1	26.018.45.1



Micro-fenestrated grasping forceps

Working length	Jaw + Shaft	Tube shaft	Handle	Complete
220 mm	020.22.1	19.60/22 .1	19.26.1	26.020.22.1
330 mm	020.33.1	19.60/33 .1	19.26.1	26.020.33.1
450 mm	020.45.1	19.60/45 .1	19.26.1	26.020.45.1



Micro-grasping forceps

Working length	Jaw + Shaft	Tube shaft	Handle	Complete
220 mm	022.22.1	19.60/22 .1	19.26.1	26.022.22.1
330 mm	022.33.1	19.60/33 .1	19.26.1	26.022.33.1
450 mm	022.45.1	19.60/45 .1	19.26.1	26.022.45.1



5 mm Grasping- and Dissecting Forceps



Micro-Maryland grasping forceps

Working length	Jaw + Shaft	Tube shaft	Handle	Complete
220 mm	024.22.1	19.60/22 .1	19.26.1	26.024.22.1
330 mm	024.33.1	19.60/33 .1	19.26.1	26.024.33.1
450 mm	024.45.1	19.60/45 .1	19.26.1	26.024.45.1



Long atraumatic grasping forceps

Working length	Jaw + Shaft	Tube shaft	Handle	Complete
220 mm	026.22.1	19.60/22 .1	19.26.1	26.026.22.1
330 mm	026.33.1	19.60/33 .1	19.26.1	26.026.33.1
450 mm	026.45.1	19.60/45 .1	19.26.1	26.026.45.1



Grasping forceps, straight

Working length	Jaw + Shaft	Tube shaft	Handle	Complete
220 mm	028.22.1	19.60/22 .1	19.26.1	26.028.22.1
330 mm	028.33.1	19.60/33 .1	19.26.1	26.028.33.1
450 mm	028.45.1	19.60/45 .1	19.26.1	26.028.45.1



Grasping forceps, curved

Working length	Jaw + Shaft	Tube shaft	Handle	Complete
220 mm	030.22.1	19.60/22 .1	19.26.1	26.030.22.1
330 mm	030.33.1	19.60/33 .1	19.26.1	26.030.33.1
450 mm	030.45.1	19.60/45 .1	19.26.1	26.030.45.1



5 mm Grasping- and Dissecting Forceps



Alligator grasping forceps

Working length	Jaw + Shaft	Tube shaft	Handle	Complete
220 mm	032.22.1	19.60/22 .1	19.26.1	26.032.22.1
330 mm	032.33.1	19.60/33 .1	19.26.1	26.032.33.1
450 mm	032.45.1	19.60/45 .1	19.26.1	26.032.45.1



Mixer grasping forceps 60°

Working length	Jaw + Shaft	Tube shaft	Handle	Complete
220 mm	034.22.1	19.60/22 .1	19.26.1	26.034.22.1
330 mm	034.33.1	19.60/33 .1	19.26.1	26.034.33.1
450 mm	034.45.1	19.60/45 .1	19.26.1	26.034.45.1



Mixer grasping forceps 90°

Working length	Jaw + Shaft	Tube shaft	Handle	Complete
220 mm	036.22.1	19.60/22 .1	19.26.1	26.036.22.1
330 mm	036.33.1	19.60/33 .1	19.26.1	26.036.33.1
450 mm	036.45.1	19.60/45 .1	19.26.1	26.036.45.1



5 mm Grasping- and Dissecting Forceps



Alligator grasping forceps, with spoon

Working length	Jaw + Shaft	Tube shaft	Handle	Complete
220 mm	038.22.1	19.60/22 .1	19.26.1	26.038.22.1
330 mm	038.33.1	19.60/33 .1	19.26.1	26.038.33.1
450 mm	038.45.1	19.60/45 .1	19.26.1	26.038.45.1



Da Vinci aggressive grasping forceps

Working length	Jaw + Shaft	Tube shaft	Handle	Complete
220 mm	040.22.1	19.60/22 .1	19.26.1	26.040.22.1
330 mm	040.33.1	19.60/33 .1	19.26.1	26.040.33.1
450 mm	040.45.1	19.60/45 .1	19.26.1	26.040.45.1



Maxi atraumatic grasping forceps

Working length	Jaw + Shaft	Tube shaft	Handle	Complete
220 mm	042.22.1	19.60/22 .1	19.26.1	26.042.22.1
330 mm	042.33.1	19.60/33 .1	19.26.1	26.042.33.1
450 mm	042.45.1	19.60/45 .1	19.26.1	26.042.45.1



5 mm Grasping- and Dissecting Forceps



Mc Kearnan grasping forceps, fenestrated

Working length	Jaw + Shaft	Tube shaft	Handle	Complete
220 mm	043.22.1	19.60/22 .1	19.26.1	26.043.22.1
330 mm	043.33.1	19.60/33 .1	19.26.1	26.043.33.1
450 mm	043.45.1	19.60/45 .1	19.26.1	26.043.45.1



Oviduct grasping forceps

Working length	Jaw + Shaft	Tube shaft	Handle	Complete
220 mm	048.22.1	19.60/22 .1	19.26.1	26.048.22.1
330 mm	048.33.1	19.60/33 .1	19.26.1	26.048.33.1
450 mm	048.45.1	19.60/45 .1	19.26.1	26.048.45.1



Diss. and grasping forceps, fine pattern

Working length	Jaw + Shaft	Tube shaft	Handle	Complete
220 mm	050.22.1	19.60/22 .1	19.26.1	26.050.22.1
330 mm	050.33.1	19.60/33 .1	19.26.1	26.050.33.1
450 mm	050.45.1	19.60/45 .1	19.26.1	26.050.45.1



Biopsy spoon forceps

Working length	Jaw + Shaft	Tube shaft	Handle	Complete
220 mm	080.22.1	19.60/22 .1	19.26.1	26.080.22.1
330 mm	080.33.1	19.60/33 .1	19.26.1	26.080.33.1
450 mm	080.45.1	19.60/45 .1	19.26.1	26.080.45.1



5 mm Grasping- and Dissecting Forceps



Biopsy spoon forceps with 2 teeth

Working length	Jaw + Shaft	Tube shaft	Handle	Complete
220 mm	082.22.1	19.60/22 .1	19.26.1	26.082.22.1
330 mm	082.33.1	19.60/33 .1	19.26.1	26.082.33.1
450 mm	082.45.1	19.60/45 .1	19.26.1	26.082.45.1



Biopsy spoon forceps

Working length	Jaw + Shaft	Tube shaft	Handle	Complete
220 mm	084.22.1	19.60/22 .1	19.26.1	26.084.22.1
330 mm	084.33.1	19.60/33 .1	19.26.1	26.084.33.1
450 mm	084.45.1	19.60/45 .1	19.26.1	26.084.45.1



Biopsy spoon forceps with 2 teeth

Working length	Jaw + Shaft	Tube shaft	Handle	Complete
220 mm	086.22.1	19.60/22 .1	19.26.1	26.086.22.1
330 mm	086.33.1	19.60/33 .1	19.26.1	26.086.33.1
450 mm	086.45.1	19.60/45 .1	19.26.1	26.086.45.1



Blakesley biopsy forceps

Working length	Jaw + Shaft	Tube shaft	Handle	Complete
220 mm	088.22.1	19.60/22 .1	19.26.1	26.088.22.1
330 mm	088.33.1	19.60/33 .1	19.26.1	26.088.33.1
450 mm	088.45.1	19.60/45 .1	19.26.1	26.088.45.1



5 mm Grasping- and Dissecting Forceps



Biopsy punsch

Working length	Jaw + Shaft	Tube shaft	Handle	Complete
220 mm	090.22.1	19.60/22 .1	19.26.1	26.090.22.1
330 mm	090.33.1	19.60/33 .1	19.26.1	26.090.33.1
450 mm	090.45.1	19.60/45 .1	19.26.1	26.090.45.1



Multiple teeth grasping forceps

Working length	Jaw + Shaft	Tube shaft	Handle	Complete
220 mm	092.22.1	19.60/22 .1	19.26.1	26.092.22.1
330 mm	092.33.1	19.60/33 .1	19.26.1	26.092.33.1
450 mm	092.45.1	19.60/45 .1	19.26.1	26.092.45.1

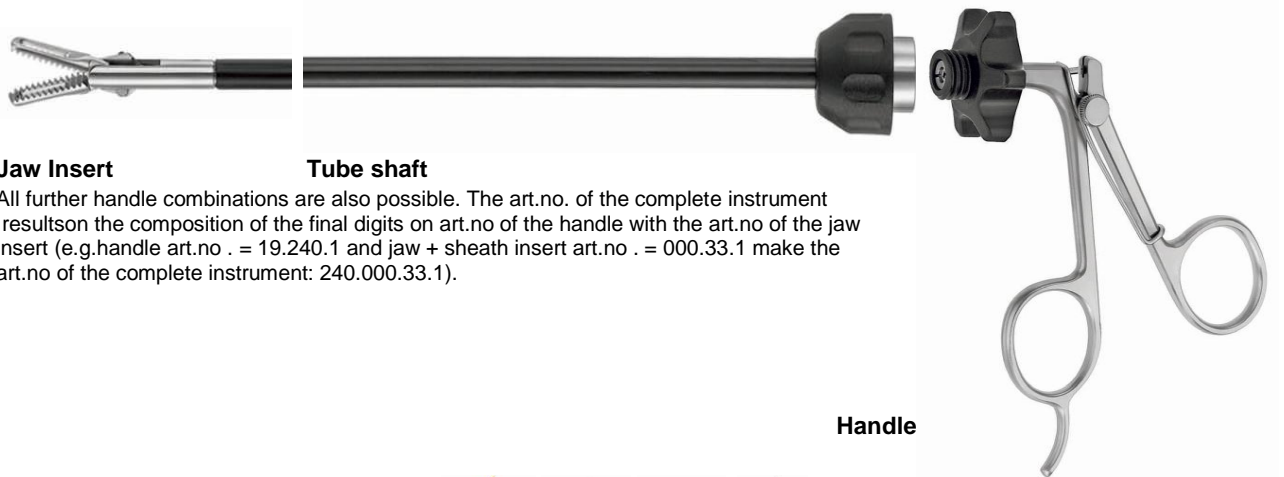


Rat-tooth grasping forceps

Working length	Jaw + Shaft	Tube shaft	Handle	Complete
220 mm	094.22.1	19.60/22 .1	19.26.1	26.094.22.1
330 mm	094.33.1	19.60/33 .1	19.26.1	26.094.33.1
450 mm	094.45.1	19.60/45 .1	19.26.1	26.094.45.1



5 mm Grasping- and Dissecting Forceps



Jaw Insert

Tube shaft

All further handle combinations are also possible. The art.no. of the complete instrument resultson the composition of the final digits on art.no of the handle with the art.no of the jaw insert (e.g.handle art.no . = 19.240.1 and jaw + sheath insert art.no . = 000.33.1 make the art.no of the complete instrument: 240.000.33.1).

Handle



19.20.1 19.21.1 19.22.1 19.26.1 19.240.1 19.241.1 19.250.1 19.251.1 19.260.1 19.261.1 19.270.1 19.271.1 19.281.1



Claw grasping forceps

Working length	Jaw + Shaft	Tube shaft	Handle	Complete
220 mm	096.22.1	19.60/22 .1	19.21.1	21.096.22.1
330 mm	096.33.1	19.60/33 .1	19.21.1	21.096.33.1
450 mm	096.45.1	19.60/45 .1	19.21.1	21.096.45.1



5 mm Grasping- and Dissecting Forceps

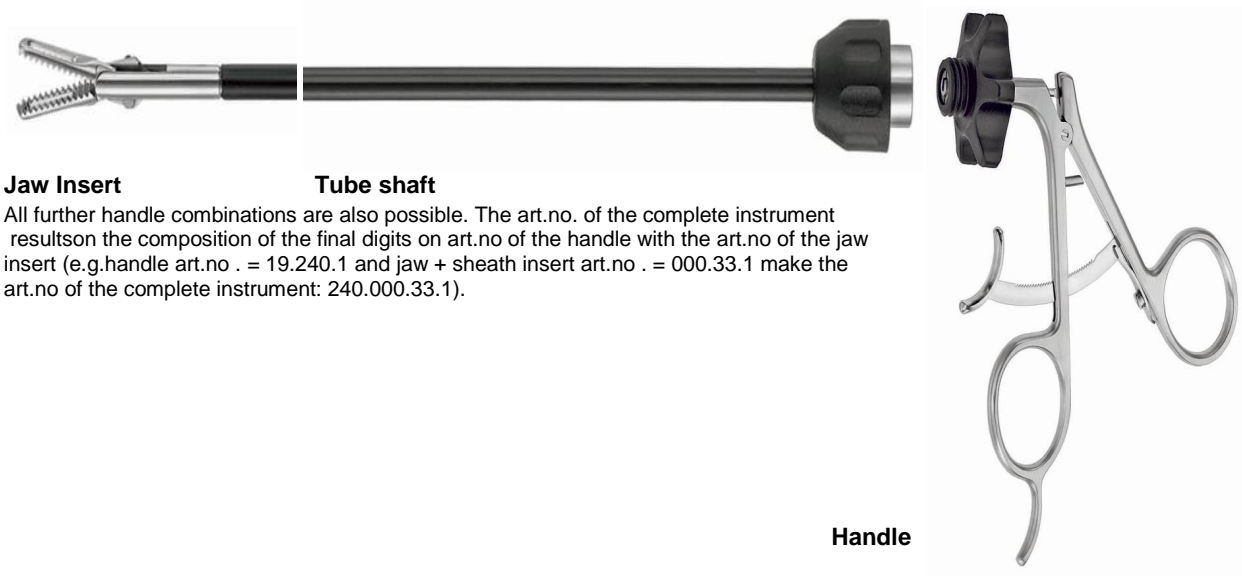


Tenaculum forceps

Working length	Jaw + Shaft	Tube shaft	Handle	Complete
220 mm	098.22.1	19.60/22 .1	19.21.1	21.098.22.1
330 mm	098.33.1	19.60/33 .1	19.21.1	21.098.33.1
450 mm	098.45.1	19.60/45 .1	19.21.1	21.098.45.1



5 mm Grasping- and Dissecting Forceps

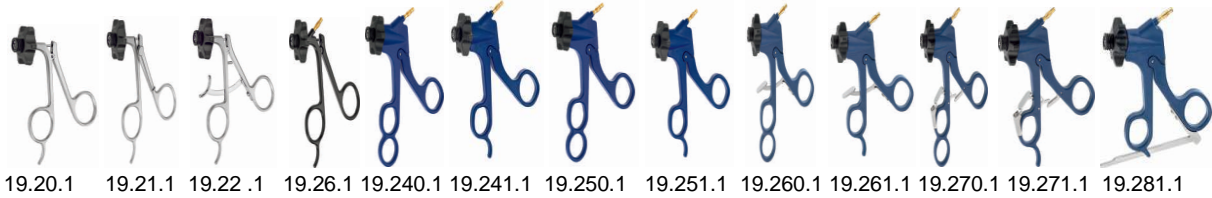


Jaw Insert

Tube shaft

All further handle combinations are also possible. The art.no. of the complete instrument resultson the composition of the final digits on art.no of the handle with the art.no of the jaw insert (e.g.handle art.no . = 19.240.1 and jaw + sheath insert art.no . = 000.33.1 make the art.no of the complete instrument: 240.000.33.1).

Handle



19.20.1 19.21.1 19.22.1 19.26.1 19.240.1 19.241.1 19.250.1 19.251.1 19.260.1 19.261.1 19.270.1 19.271.1 19.281.1



Crocodile Grasping forceps

Working length	Jaw + Shaft	Tube shaft	Handle	Complete
220 mm	044.22.1	19.60/22 .1	19.22.1	22.044.22.1
330 mm	044.33.1	19.60/33 .1	19.22.1	22.044.33.1
450 mm	044.45.1	19.60/45 .1	19.22.1	22.044.45.1



Crocodile Grasping forceps

Working length	Jaw + Shaft	Tube shaft	Handle	Complete
220 mm	045.22.1	19.60/22 .1	19.22.1	22.045.22.1
330 mm	045.33.1	19.60/33 .1	19.22.1	22.045.33.1
450 mm	045.45.1	19.60/45 .1	19.22.1	22.045.45.1

5 mm Grasping- and Dissecting Forceps



Retraction" grasping forceps

Working length	Jaw + Shaft	Tube shaft	Handle	Complete
220 mm	046.22.1	19.60/22 .1	19.22.1	22.046.22.1
330 mm	046.33.1	19.60/33 .1	19.22.1	22.046.33.1
450 mm	046.45.1	19.60/45 .1	19.22.1	22.046.45.1



Endoclinch grasping forceps, fenestrated

Working length	Jaw + Shaft	Tube shaft	Handle	Complete
220 mm	054.22.1	19.60/22 .1	19.22.1	22.054.22.1
330 mm	054.33.1	19.60/33 .1	19.22.1	22.054.33.1
450 mm	054.45.1	19.60/45 .1	19.22.1	22.054.45.1



Bowel grasping forceps, fenestrated

Working length	Jaw + Shaft	Tube shaft	Handle	Complete
220 mm	060.22.1	19.60/22 .1	19.22.1	22.060.22.1
330 mm	060.33.1	19.60/33 .1	19.22.1	22.060.33.1
450 mm	060.45.1	19.60/45 .1	19.22.1	22.060.45.1



5 mm Grasping- and Dissecting Forceps



Allis grasping forceps

Working length	Jaw + Shaft	Tube shaft	Handle	Complete
220 mm	062.22.1	19.60/22 .1	19.22.1	22.062.22.1
330 mm	062.33.1	19.60/33 .1	19.22.1	22.062.33.1
450 mm	062.45.1	19.60/45 .1	19.22.1	22.062.45.1

5 mm Grasping- and Dissecting Forceps



De Bakey Atraumatic grasping forceps

Working length	Jaw + Shaft	Tube shaft	Handle	Complete
220 mm	064.22.1	19.60/22 .1	19.22.1	22.064.22.1
330 mm	064.33.1	19.60/33 .1	19.22.1	22.064.33.1
450 mm	064.45.1	19.60/45 .1	19.22.1	22.064.45.1

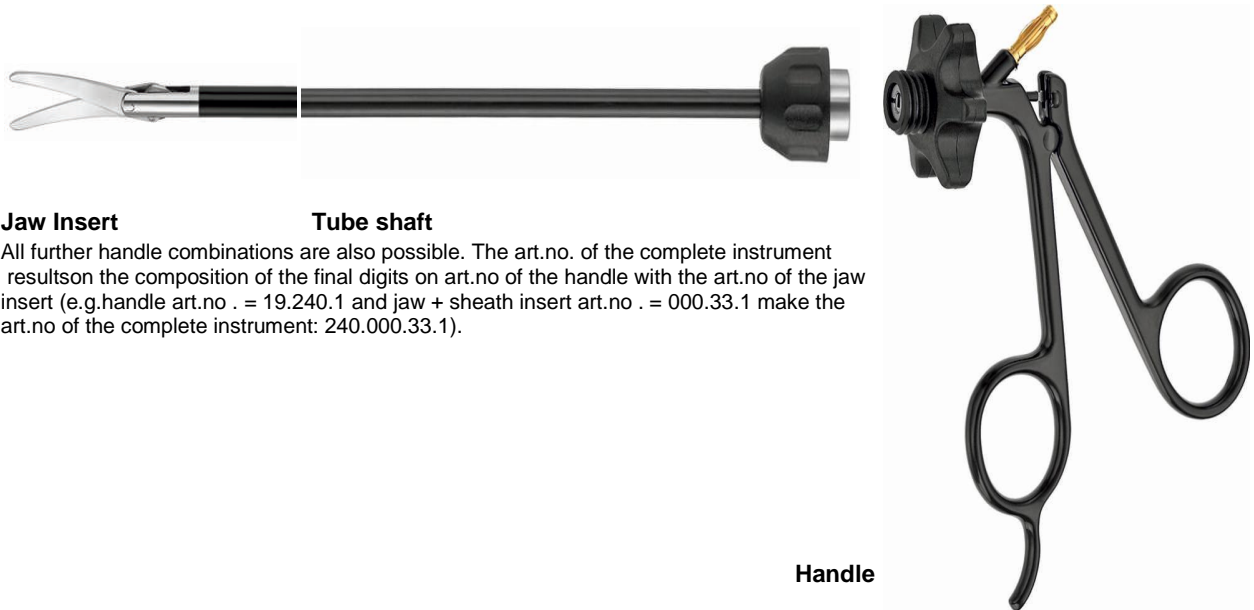


Babcock grasping forceps

Working length	Jaw + Shaft	Tube shaft	Handle	Complete
220 mm	066.22.1	19.60/22 .1	19.22.1	22.066.22.1
330 mm	066.33.1	19.60/33 .1	19.22.1	26.066.33.1
450 mm	066.45.1	19.60/45 .1	19.22.1	26.066.45.1



5 mm Scissors

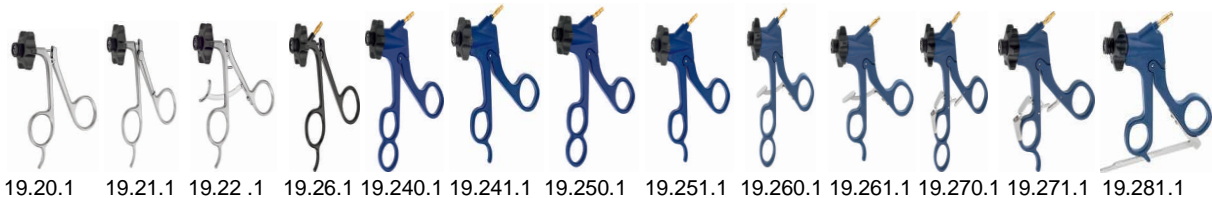


Jaw Insert

Tube shaft

All further handle combinations are also possible. The art.no. of the complete instrument resultson the composition of the final digits on art.no of the handle with the art.no of the jaw insert (e.g.handle art.no . = 19.240.1 and jaw + sheath insert art.no . = 000.33.1 make the art.no of the complete instrument: 240.000.33.1).

Handle



19.20.1 19.21.1 19.22.1 19.26.1 19.240.1 19.241.1 19.250.1 19.251.1 19.260.1 19.261.1 19.270.1 19.271.1 19.281.1



Micro scissors, straight

Working length	Jaw + Shaft	Tube shaft	Handle	Complete
220 mm	200.22.1	19.60/22 .1	19.26.1	26.200.22.1
330 mm	200.33.1	19.60/33 .1	19.26.1	26.200.33.1
450 mm	200.45.1	19.60/45 .1	19.26.1	26.200.45.1



5 mm Scissors



Micro scissors, curved

Working length	Jaw + Shaft	Tube shaft	Handle	Complete
220 mm	202.22.1	19.60/22 .1	19.26.1	26.202.22.1
330 mm	202.33.1	19.60/33 .1	19.26.1	26.202.33.1
450 mm	202.45.1	19.60/45 .1	19.26.1	26.202.45.1



Peritoneal scissors, serrated

Working length	Jaw + Shaft	Tube shaft	Handle	Complete
220 mm	204.22.1	19.60/22 .1	19.26.1	26.204.22.1
330 mm	204.33.1	19.60/33 .1	19.26.1	26.204.33.1
450 mm	204.45.1	19.60/45 .1	19.26.1	26.204.45.1



Hook scissors

Working length	Jaw + Shaft	Tube shaft	Handle	Complete
220 mm	206.22.1	19.60/22 .1	19.26.1	26.206.22.1
330 mm	206.33.1	19.60/33 .1	19.26.1	26.206.33.1
450 mm	206.45.1	19.60/45 .1	19.26.1	26.206.45.1



5 mm Scissors



Baby-Metzenbaum scissors, curved

Working length	Jaw + Shaft	Tube shaft	Handle	Complete
220 mm	208.22.1	19.60/22 .1	19.26.1	26.208.22.1
330 mm	208.33.1	19.60/33 .1	19.26.1	26.208.33.1
450 mm	208.45.1	19.60/45 .1	19.26.1	26.208.45.1

5 mm Scissors



Metzenbaum scissors, curved

Working length	Jaw + Shaft	Tube shaft	Handle	Complete
220 mm	210.22.1	19.60/22 .1	19.26.1	26.210.22.1
330 mm	210.33.1	19.60/33 .1	19.26.1	26.210.33.1
450 mm	210.45.1	19.60/45 .1	19.26.1	26.210.45.1



Endo scissors, curved

Working length	Jaw + Shaft	Tube shaft	Handle	Complete
220 mm	214.22.1	19.60/22 .1	19.26.1	26.214.22.1
330 mm	214.33.1	19.60/33 .1	19.26.1	26.214.33.1
450 mm	214.45.1	19.60/45 .1	19.26.1	26.214.45.1



Metzenbaum scissors, straight, heavy blades pattern

Working length	Jaw + Shaft	Tube shaft	Handle	Complete
220 mm	216.22.1	19.60/22 .1	19.26.1	26.216.22.1
330 mm	216.33.1	19.60/33 .1	19.26.1	26.216.33.1
450 mm	216.45.1	19.60/45 .1	19.26.1	26.216.45.1



5 mm Scissors

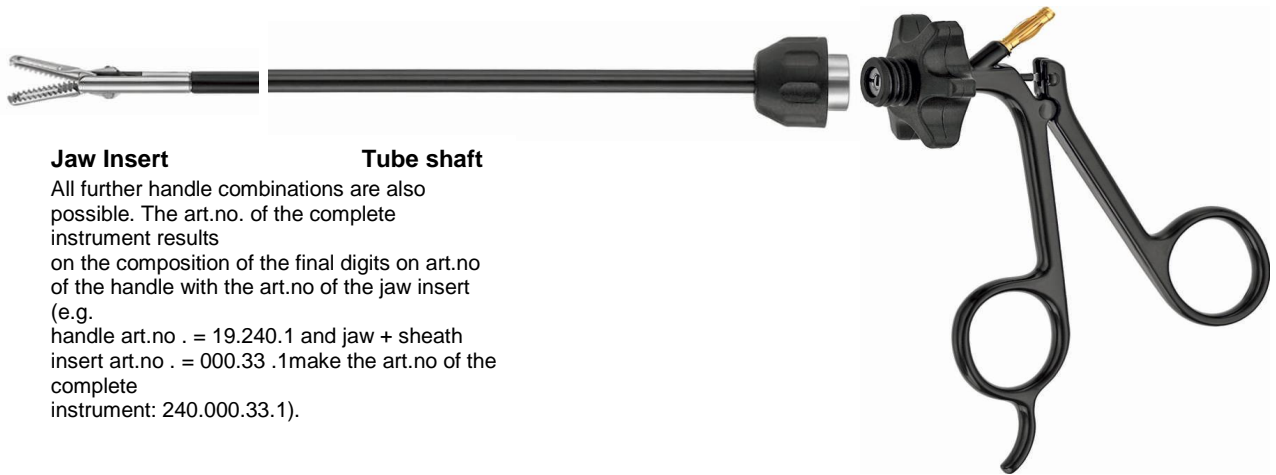


Metzenbaum scissors, curved, heavy blades pattern

Working length	Jaw + Shaft	Tube shaft	Handle	Complete
220 mm	218.22.1	19.60/22 .1	19.26.1	26.218.22.1
330 mm	218.33.1	19.60/33 .1	19.26.1	26.218.33.1
450 mm	218.45.1	19.60/45 .1	19.26.1	26.218.45.1



10 mm Grasping- and Dissecting Forceps

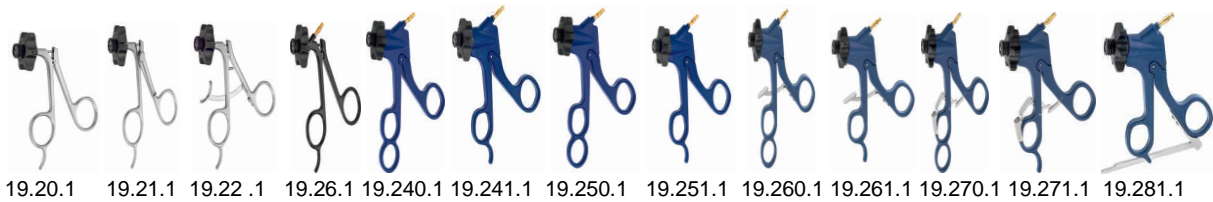


Jaw Insert

All further handle combinations are also possible. The art.no. of the complete instrument results on the composition of the final digits on art.no of the handle with the art.no of the jaw insert (e.g. handle art.no . = 19.240.1 and jaw + sheath insert art.no . = 000.33 .1 make the art.no of the complete instrument: 240.000.33.1).

Tube shaft

Handle



19.20.1 19.21.1 19.22.1 19.26.1 19.240.1 19.241.1 19.250.1 19.251.1 19.260.1 19.261.1 19.270.1 19.271.1 19.281.1



Maryland grasping forceps

Working length	Jaw + Shaft	Tube shaft	Handle	Complete
220 mm	110.22.1	19.61/22 .1	19.26.1	26.110.22.1
330 mm	110.33.1	19.61/33 .1	19.26.1	26.110.33.1
450 mm	110.45.1	19.61/45 .1	19.26.1	26.110.45.1



10 mm Grasping- and Dissecting Forceps



Kelly grasping forceps

Working length	Jaw + Shaft	Tube shaft	Handle	Complete
220 mm	112.22.1	19.61/22 .1	19.26.1	26.112.22.1
330 mm	112.33.1	19.61/33 .1	19.26.1	26.112.33.1
450 mm	112.45.1	19.61/45 .1	19.26.1	26.112.45.1

10 mm Grasping- and Dissecting Forceps



Alligator grasping forceps

Working length	Jaw + Shaft	Tube shaft	Handle	Complete
220 mm	132.22.1	19.61/22 .1	19.26.1	26.132.22.1
330 mm	132.33.1	19.61/33 .1	19.26.1	26.132.33.1
450 mm	132.45.1	19.61/45 .1	19.26.1	26.132.45.1

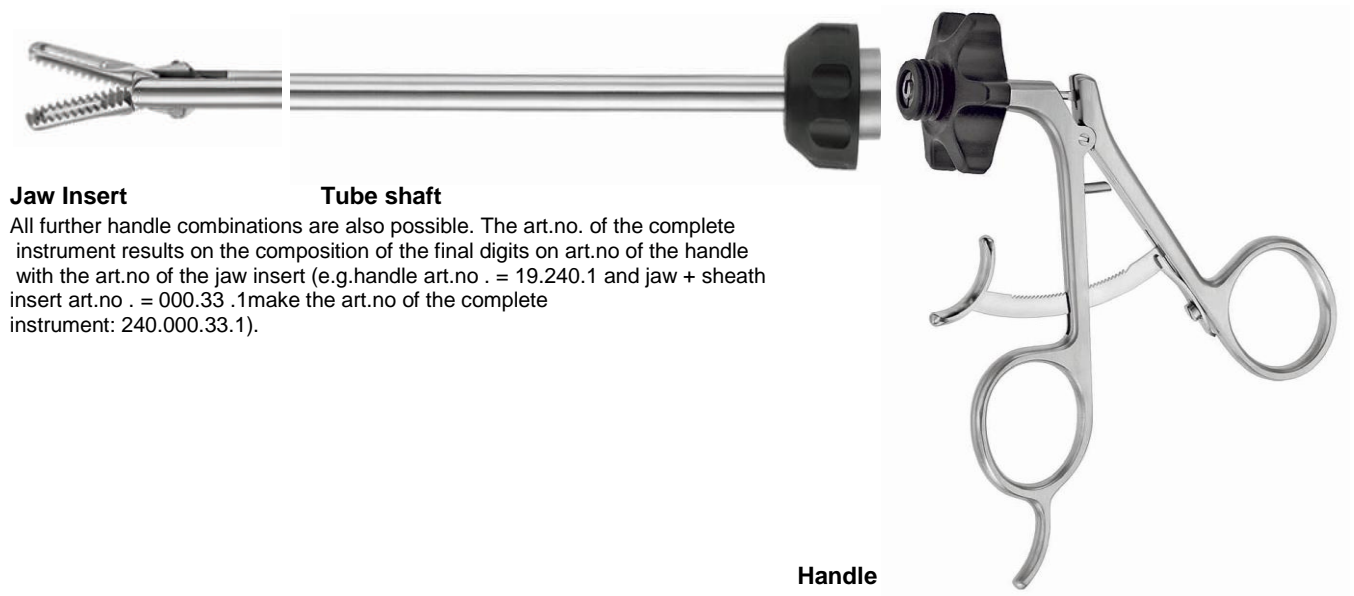


Mixer grasping forceps 90°

Working length	Jaw + Shaft	Tube shaft	Handle	Complete
220 mm	150.22.1	19.61/22 .1	19.26.1	26.150.22.1
330 mm	150.33.1	19.61/33 .1	19.26.1	26.150.33.1
450 mm	150.45.1	19.61/45 .1	19.26.1	26.150.45.1



10 mm Grasping- and Dissecting Forceps



Jaw Insert

Tube shaft

All further handle combinations are also possible. The art.no. of the complete instrument results on the composition of the final digits on art.no of the handle with the art.no of the jaw insert (e.g.handle art.no . = 19.240.1 and jaw + sheath insert art.no . = 000.33 .1make the art.no of the complete instrument: 240.000.33.1).

Handle



19.20.1 19.21.1 19.22.1 19.26.1 19.240.1 19.241.1 19.250.1 19.251.1 19.260.1 19.261.1 19.270.1 19.271.1 19.281.1



Allis grasping forceps

Working length	Jaw + Shaft	Tube shaft	Handle	Complete
220 mm	152.22.1	19.62/22 .1	19.22.1	22.152.22.1
330 mm	152.33.1	19.62/33 .1	19.22.1	22.152.33.1
450 mm	152.45.1	19.62/45 .1	19.22.1	22.152.45.1

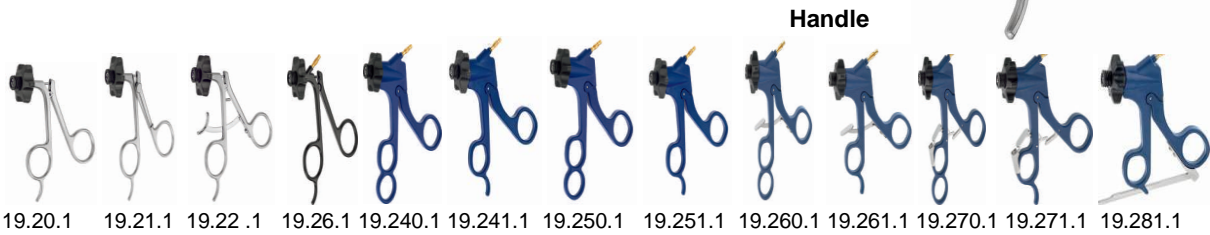


10 mm Grasping- and Dissecting Forceps



Jaw Insert

All further handle combinations are also possible. The art.no. of the complete instrument results on the composition of the final digits on art.no of the handle with the art.no of the jaw insert (e.g.handle art.no . = 19.240.1 and jaw + sheath insert art.no . = 000.33 .1make the art.no of the complete instrument: 240.000.33.1).



Handle

19.20.1 19.21.1 19.22.1 19.26.1 19.240.1 19.241.1 19.250.1 19.251.1 19.260.1 19.261.1 19.270.1 19.271.1 19.281.1

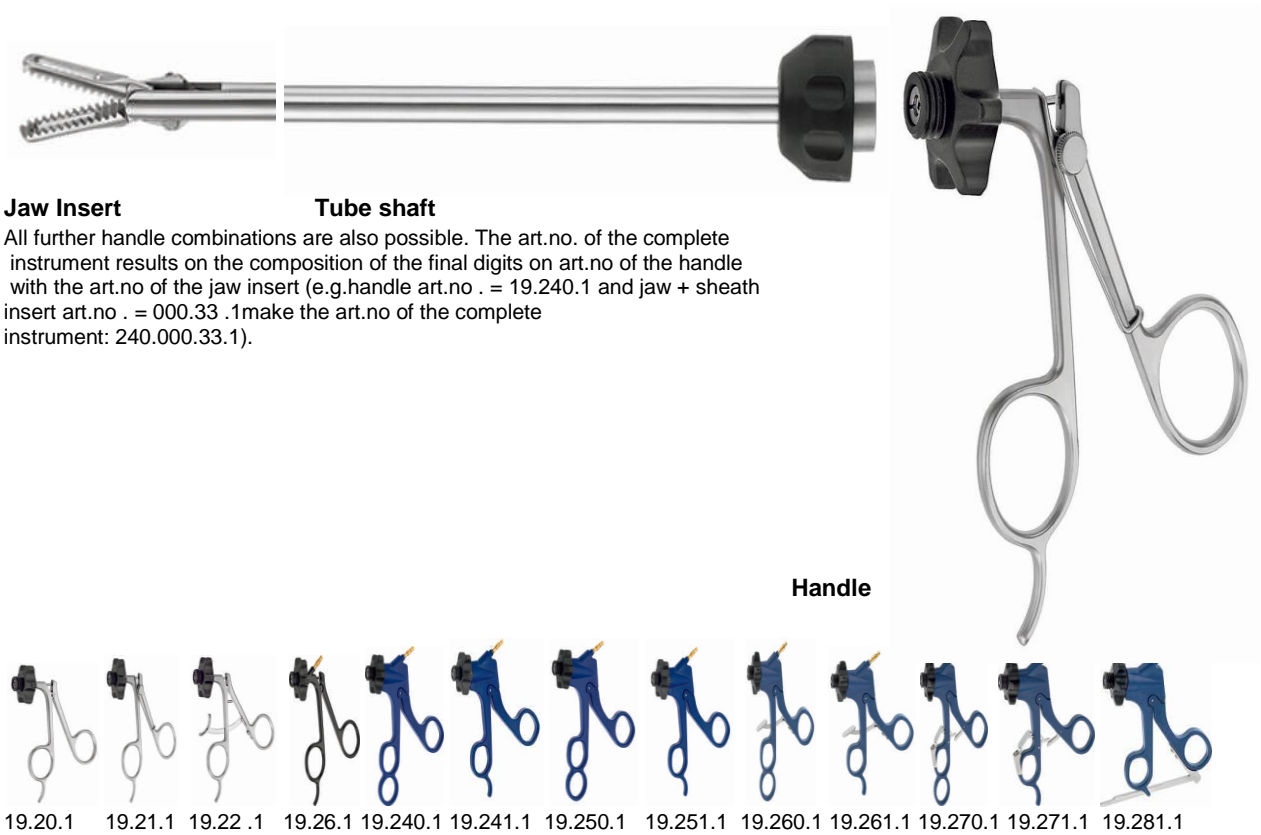


Babcock grasping forceps

Working length	Jaw + Shaft	Tube shaft	Handle	Complete
220 mm	156.22.1	19.61/22 .1	19.26.1	22.156.22.1
330 mm	156.33.1	19.61/33 .1	19.26.1	22.156.33.1
450 mm	156.45.1	19.61/45 .1	19.26.1	22.156.45.1



10 mm Grasping- and Dissecting Forceps



Spoon grasping forceps

Working length	Jaw + Shaft	Tube shaft	Handle	Complete
220 mm	170.22.1	19.52/22 .1	19.21.1	21.170.22.1
330 mm	170.33.1	19.52/33 .1	19.21.1	21.170.33.1
450 mm	170.45.1	19.52/45 .1	19.21.1	21.170.45.1



10 mm Grasping- and Dissecting Forceps



Claw grasping forceps

Working length	Jaw + Shaft	Tube shaft	Handle	Complete
220 mm	172.22.1	19.52/22 .1	19.21.1	21.172.22.1
330 mm	172.33.1	19.52/33 .1	19.21.1	21.172.33.1
450 mm	172.45.1	19.52/45 .1	19.21.1	21.172.45.1



Claw grasping forceps

Working length	Jaw + Shaft	Tube shaft	Handle	Complete
220 mm	174.22.1	19.52/22 .1	19.21.1	21.174.22.1
330 mm	174.33.1	19.52/33 .1	19.21.1	21.174.33.1
450 mm	174.45.1	19.52/45 .1	19.21.1	21.174.45.1



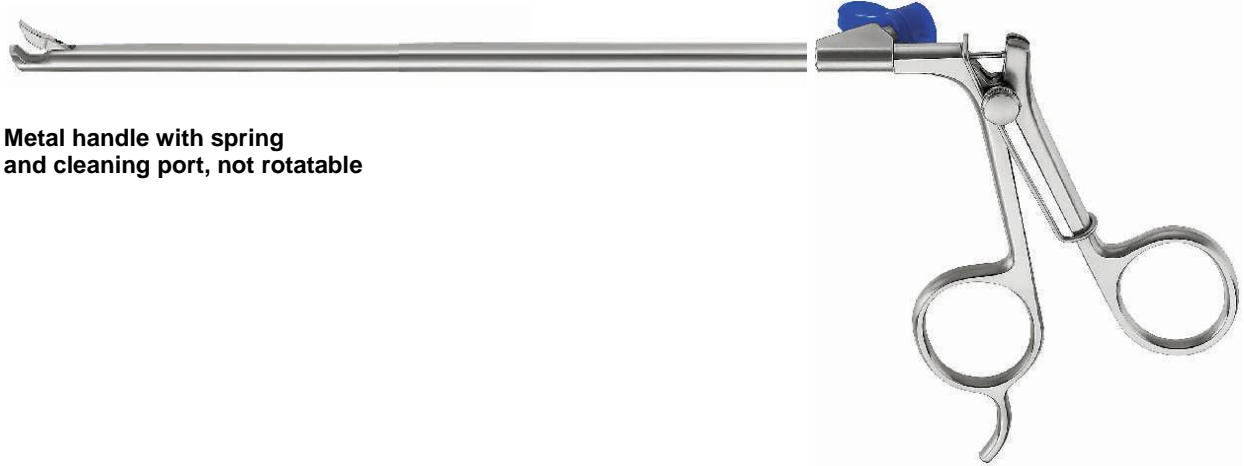
Tenaculum forceps

Working length	Jaw + Shaft	Tube shaft	Handle	Complete
220 mm	176.22.1	19.52/22 .1	19.21.1	21.176.22.1
330 mm	176.33.1	19.52/33 .1	19.21.1	21.176.33.1
450 mm	176.45.1	19.52/45 .1	19.21.1	21.176.45.1



Needle Holder

1-



**Metal handle with spring
and cleaning port, not rotatable**

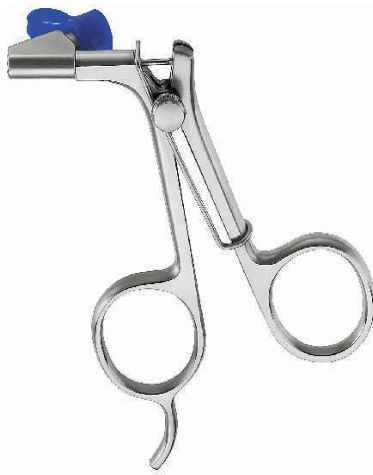
2-



**Axial handle with ratchet
and cleaning port, not rotatable**



Needle Holder



**1-
Metal handle with spring
and cleaning port, not rotatable**



**2-
Axial handle with ratchet
and cleaning port, not rotatable**



Tungsten carbide, 3.0 mm

Working length	
220 mm	21.240.22.1
330 mm	21.240.33.1
450 mm	21.240.45.1



Serrated jaw, 3.0 mm

Working length	
220 mm	21.242.22.1
330 mm	21.242.33.1
450 mm	21.242.45.1



Needle Holder



Tungsten carbide, 5.0 mm

Working length	
220 mm	21.250.22.1
330 mm	21.250.33.1
450 mm	21.250.45.1

Working length	
220 mm	25.250.22.1
330 mm	25.250.33.1
450 mm	25.250.45.1



Serrated jaw, 5.0 mm

Working length	
220 mm	21.252.22.1
330 mm	21.252.33.1
450 mm	21.252.45.1

Working length	
220 mm	25.252.22.1
330 mm	25.252.33.1
450 mm	25.252.45.1



Phoenico, 5.0 mm

Working length	
220 mm	21.260.22.1
330 mm	21.260.33.1
450 mm	21.260.45.1

Working length	
220 mm	25.260.22.1
330 mm	25.260.33.1
450 mm	25.260.45.1



Psittacus, 5.0 mm

Working length	
220 mm	21.262.22.1
330 mm	21.262.33.1
450 mm	21.262.45.1

Working length	
220 mm	25.262.22.1
330 mm	25.262.33.1
450 mm	25.262.45.1



Needle Holder



Tungsten carbide, curved left, 5.0 mm

Working length

220 mm	21.264.22.1
330 mm	21.264.33.1
450 mm	21.264.45.1

Working length

220 mm	25.264.22.1
330 mm	25.264.33.1
450 mm	25.264.45.1



Tungsten carbide, curved right, 5.0 mm

Working length

220 mm	21.266.22.1
330 mm	21.266.33.1
450 mm	21.266.45.1

Working length

220 mm	25.266.22.1
330 mm	25.266.33.1
450 mm	25.266.45.1

Needle Holder



MIC 'self-adjust' needleholder, diamond coated jaw, 5 mm

Working length

330 mm	25.268.33.1
--------	-------------

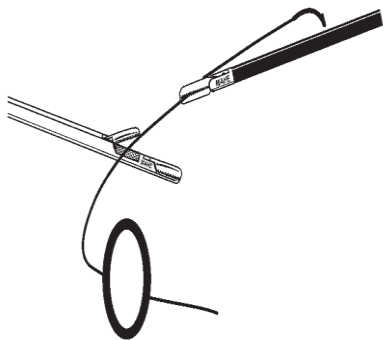
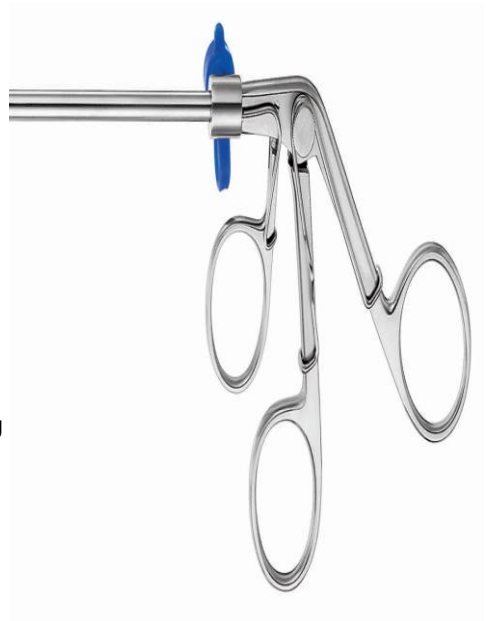


Easyknot Suturing Forceps



Easyknot
25.300.33.1

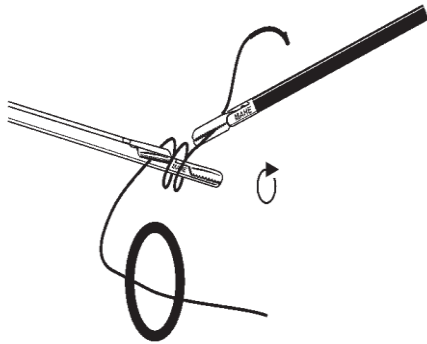
For easy intracorporeal suturing
and knot making



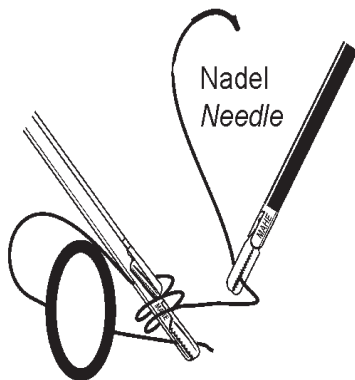
1. Take the stitch with a standard needle holder leaving a 1"-2" short tail on the needle entry side. Grasp the needle end of the suture with an assisting forceps about 3"-5" from the operative site to fix the suture. Trap the suture under the upper jaw of the Easyknot device about 1.5" from the point of suture fixation.



Easyknot Suturing Forceps



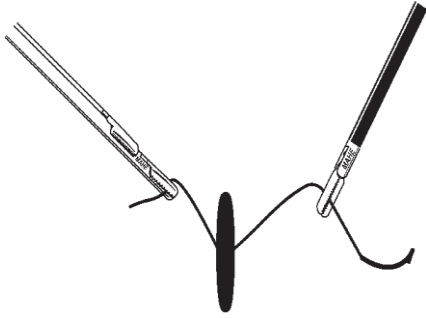
2. Use the assisting forceps to wrap the suture around the Easyknot device twice, distal to the upper jaw (preferably going first under the device than over it).



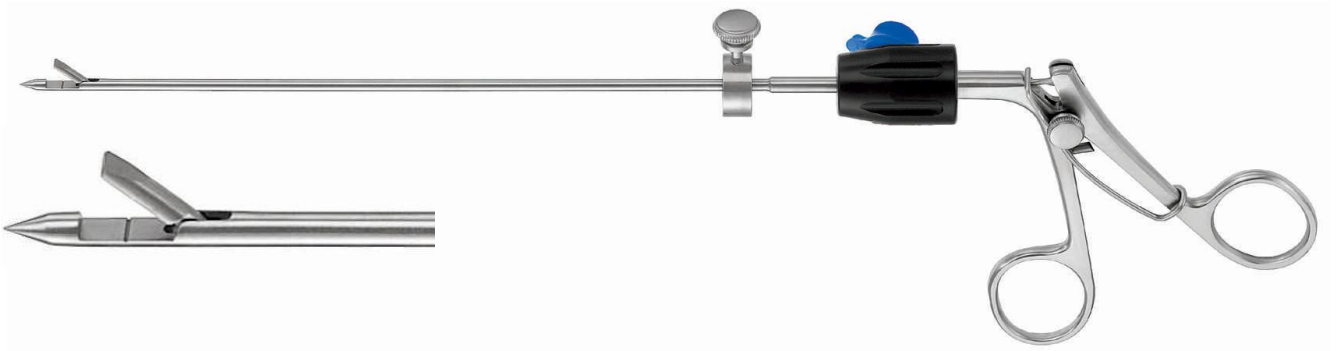
3. Bring both instruments closer to the short tail and hold the tail with the lower jaw of the Easyknot device. Open the upper jaw to release trapped suture and pull the device (holding the suture tail) and assisting forceps (holding the needle suture end) in opposite directions (relative to initial positions) to establish a flat half hitch. Cinch and tighten as needed.



Easyknot Suturing Forceps



4. Repeat the procedure to form additional half hitches making sure to reserve the direction of pulling on the suture ends to establish a square knot. For instance, if the short end starts on the right side of the incision, it should end at the left side after the first half hitch and again on the right side after the second half hitch.



Wound Closure Forceps, Ø 3.0 mm, WL 170 mm

17.000.40.1

Advantages:

- Reduce or eliminate the possibility of trocar site hernia, wound dehiscence or bleeding
- Easy to Use, especially on obese patients
- Quality Reusable Instrument.

Technique:

Place suture in jaw near the middle of the suture length. Surgeon will place instrument (with suture) beneath level of skin full thickness incorporating posterior fascia directly adjacent to trocar cannula. This technique should be performed under laparoscopic vision. It is necessary to have an adequate length of suture in the peritoneal cavity so it can be easily retrieved and extracted when the instrument is reintroduced on the opposite side of trocar site.

Once the suture is introduced satisfactorily it is dropped (1) and instrument is extracted and reintroduced on opposite side (2). Suture is re-grasped and extracted with instrument incorporating all tissue layers except skin on removal. Abdominal wall is then closed in normal fashion.



Hygiene and Instrument reprocessing



Cleaning pistol with 8 adaptors, attachable to standard water tap or compressed-air plant

90.001.00.1

Adaptors



for syringes and cannulas with record cone

90.001.00.1A



Hygiene and Instrument reprocessing



**for measuring and blood
pipettes**
90.001.00.1B

Hygiene and Instrument reprocessing



for catheters, valves etc.
90.001.00.1C



for drainage tubings
90.001.00.1D



**for syringes and cannulas
with Luer cone**
90.001.00.1E



Hygiene and Instrument reprocessing



Spray jet for surfaces and cavities
90.001.00.1F

Hygiene and Instrument reprocessing



for bottles and Erlenmeyer flasks
90.001.00G



Hygiene and Instrument reprocessing



Water jet pump adaptor for suction out of corners and cavities

90.001.00.1H

Hygiene and Instrument reprocessing



Wall support for adaptors

90.001.00.1W

Special Accessories

(without illustration)

Table-top rosette for installation of the cleaning pistol in the sink or a countertop

90.007.00.1

Hygiene and Instrument reprocessing



Cleaning brush

Size

5 / 480 mm 90.023.05.1

7 / 480 mm 90.023.07.1

12 / 480 mm 90.023.12.1



Cotton carrier with thread,

Size

35 cm 90.020.35.1

50 cm 90.020.50.1



Hygiene and Instrument reprocessing



Cotton carrier with spring handle

Size

35 cm 90.021.35.1

50 cm 90.021.50.1



**Instrument oil,
50 ml bottle**
90.025.00.1



Special lubricant for stopcocks
90.026.00.1



**“Anti-Fog”-solution set, consist. of:
bottle (sterile) + 1 sponge (sterile),
10 sets/cart**
90.035.01.1



**Grasping forceps, with rubber jaws for carefully
handling the instruments**
90.028.00.1



Rubber jaws only for 90.028.00.1 (1 pair)
90.028.01.1



Containers



Steri-/storage box for scopes

Size	Inner-Ø		
small	282 x 76 x 33 mm	for 1 scope	90.050.16.1
small	282 x 76 x 33 mm	for 2 scopes	90.050.18.1
medium	409 x 76 x 33 mm	for 1 scope	90.050.20.1
medium	409 x 76 x 33 mm	for 2 scopes	90.050.22.1
large	510 x 76 x 33 mm	for 1 scope	90.050.24.1
large	510 x 76 x 33 mm	for 2 scopes	90.050.26.1

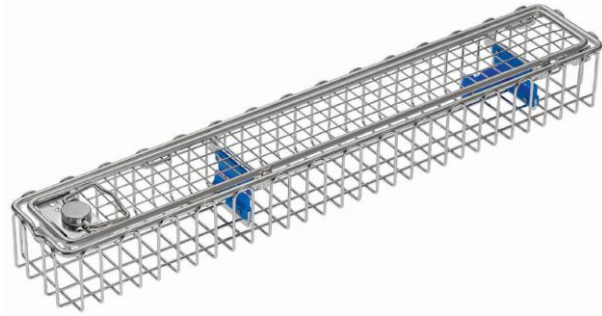


LAP Steri-/storage container, for 3/5+10 instruments, rack with silicone strip can accommodate 12 instruments, incl. insert tray, silicone mat for container base + insert tray

Size	Inner-Ø	
508 x 234 x 117 mm		90.051.02.1



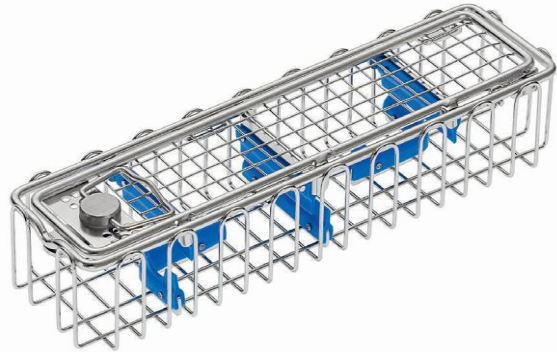
Containers



Endoscopy basket for 1 telescope

Size

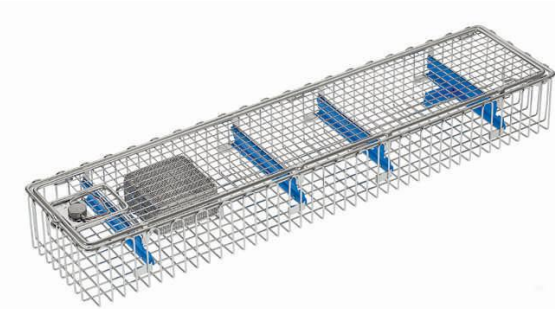
290 x 80 x 52 mm	90.061.00.1
460 x 80 x 52 mm	90.061.05.1
670 x 150 x 77 mm	90.061.10.1



Endoscopy basket for 2 telescopes

Size

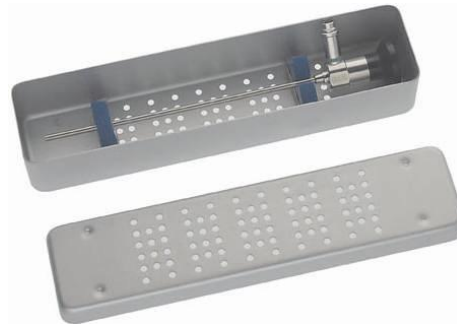
290 x 80 x 52 mm	90.062.00.1
460 x 80 x 52 mm	90.062.05.1



Basket for small parts and cold light cable with max. length of 4.5m

Size

640 x 150 x 77 mm	90.063.00.1
-------------------	-------------



Steri-/Storage box, aluminium (silver)

Size

250 x 60 x 50 mm	90.065.00.1
450 x 70 x 70 mm	90.065.05.1



Decontamination container (Plastic)

Size

Lid only	530 x 325 mm	90.070.01.1
Tray only	530 x 325 x 100 mm	90.070.10.1
Tray only	530 x 325 x 150 mm	90.070.15.1
Tray only	530 x 325 x 200 mm	90.070.20.1